

1-Channel circuit breaker current-limiting, communicative **EB-0824-100-0**



EasyB

Advantages

Automatic channel assignment
Communication via communication modules
Optional undervoltage shutdown in combined network
Optional settings for tripping current
Additional load outputs through output expanders mountable sidewise
Selective load-dependent activation
Common reset input
3 years warranty

Applications

Electronic circuit breaker with current-limiting characteristic and comprehensive communication with the connected modules. Suitable as advanced fuse for 24 V loads with option of reading more detailed current supply parameters and actively controlling the channels.

Standards

Safety:
EN 60950-1, EN 50178, EN/IEC 60204-1
EMC:
EN 61000-6-2 (interference immunity), EN 61000-6-3 (emitted interference)
CE:
Acc. to 2014/30/EU

Approvals



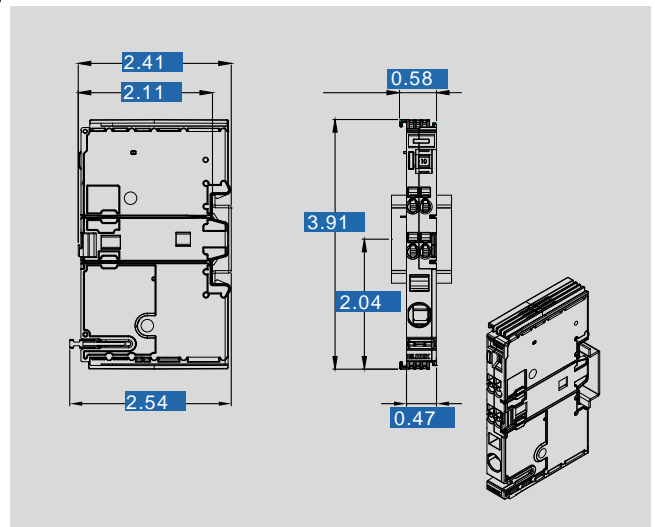
UL 508, UL 2367, DNV GL,
VW eCl@ss No.27-37-18-02 (prepared)



1-Channel circuit breaker current-limiting, communicative EB-0824-100-0

Type	EB-0824-100-0	
Electrical data	Special features	
	Characteristics	Adjustable tripping currents via current selector switch or interface
	Input	
	Input rated voltage	24 Vdc
	Input voltage range	18 - 30 Vdc
	Maximal residual ripple of supplied input voltage	3 %
	Max. total input current	10 A
	Max. input current for each pole of terminal	10 A (-), 40 A (+)
	Required input voltage for turning-on of outputs	17.5 Vdc (Turn-off Threshold 16.7 Vdc), ± 0.7 Vdc
	Max. power losses	1.2 - 2.5 W
Over voltage protection	Suppressor diode 33 Vdc	
Stand-by current	39 mA @ 24 Vdc	
Power losses in stand-by mode	1.17 W @ 24 Vdc	
Turn on capacity	50-110 mF @ 24 Vdc/ 2,5 mm ² /2,5 m	
Output		
Output rated voltage	24 Vdc	
Maximum voltage drop between input and output	130 mV	
Initialization time of module	52 ms	
Turn-on delay of outputs	min. 50 ms / max. 5 s	
Waiting periode after switch-off of an output	500 ms (Short circuit) . . 5 s (Overload)	
Parallel use of outputs	Not allowed	
Serial use of outputs	Not allowed	
Resistance to reverse feed max.	35 Vdc	
Output rated current	0.5 - 10 A, adjustable (0,5A, 1A, 2A, 3A, 4A, 5A, 6A, 8A, 10A)	
Efficiency	99 %	
Output limited current	typ. rated current x 1,25 (@ 1-10 A) typ. rated current x 2,5 (@ 0,5 A)	
Signaling		
Bus communication	Read:-state (tripped, On, Off) -set/current -input voltage -firmware version/serial number Write:-state (on, off, reset)	
Status indicator	LED (red, green, orange)	
Signal output	Output status, short circuit proof high = Channel on, low = Channel off, fault.	
Signal output (ON/OFF/Reset)	Reset input Level high = min. 15 Vdc, max. 30 Vdc Level low = min. 0 Vdc, max. 5 Vdc	
Environment		
Type of cooling	Natural convection	
Ambient temperature	-13 °F to +158 °F	
Storage temperature	-13 °F . . +185 °F	
Derating	max. +140 °C > 6A	
Relative humidity	5 . . 96 %, without condensation	
Required minimum spacing (left/right)	0.00 inch	
Required minimum spacing (over/under)	1.18 inch	
Safety and protection		
Protection index	IP 20	
Safety class	III, without PE connection	
Degree of pollution	2	
Order numbers		
Order Number	EB-0824-100-0	

Type	EB-0824-100-0	
Mechanical data	Terminal and mounting	
	Terminals input, (spring clamp terminal)	max. 16 mm ²
	Terminals output, (spring clamp terminal)	max 2.5 mm ² (1 x "+")
	Terminals signalling, (spring clamp terminal)	max. 2,5 mm ²
	Mounting position	horizontal for standard rail DIN TS35
	Measures and weights	
	Weight	0.09 lbs
	Dimensions in inch	



Subject to change.