

1-Channel circuit breaker thermomagnetic **EB-2724-100-4**



EasyB thermomagnetisch

Advantages

Automatic channel assignment
Optional undervoltage shutdown in combined network
Additional load outputs through output expanders mountable sidewise
Selective load-dependent activation
3 years warranty

Applications

Electronic circuit breaker with thermomagnetic characteristic with alarm signal forwarded for tripped and switched off channels to the connected channels. Starter version with fuse for 24 V loads.

Standards

Safety:
EN 60950-1, EN 50178, EN/IEC 60204-1
EMC:
EN 61000-6-2 (interference immunity), EN 61000-6-3 (emitted interference)
CE:
Acc. to 2014/30/EU

Approvals



UL 508, UL 2367, DNV GL,
VW eCl@ss No.27-37-18-02 (prepared)

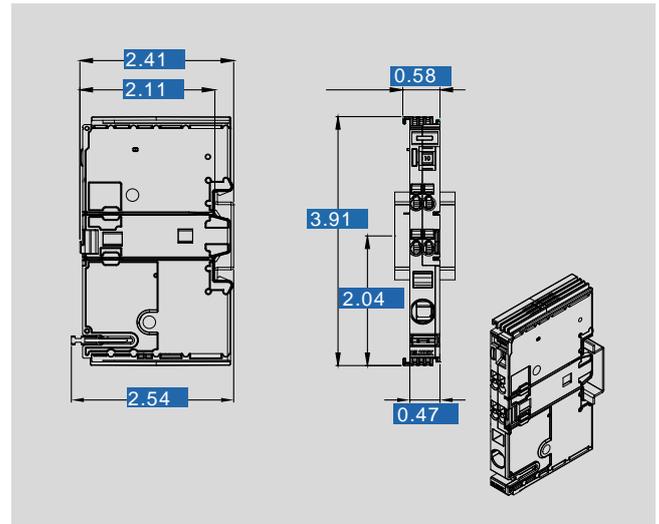


1-Channel circuit breaker thermomagnetic

EB-2724-100-4

Type	EB-2724-100-4
Electrical data	
Special features	
Characteristics	Single notification signal
Input	
Input rated voltage	24 Vdc
Input voltage range	18 - 30 Vdc
Maximal residual ripple of supplied input voltage	3 %
Max. total input current	10 A
Max. input current for each pole of terminal	10 A (-), 40 A (+)
Required input voltage for turning-on of outputs	17.5 Vdc (Turn-off Threshold 16.7 Vdc), ± 0.7 Vdc
Max. power losses	1.2 W
Over voltage protection	Suppressor diode 33 Vdc
Stand-by current	12 mA @ 24 Vdc
Power losses in stand-by mode	0.3 W @ 24 Vdc
Turn on capacity	50 mF @ 24 Vdc / 2,5 mm ² / 2,5 m
Output	
Output rated voltage	24 Vdc
Maximum voltage drop between input and output	92 mV
Initialization time of module	27 ms
Turn-on delay of outputs	0 ms
Waiting periode after switch-off of an output	500 ms (Short circuit) .. 5 s (Overload)
Parallel use of outputs	Not allowed
Serial use of outputs	not allowed
Resistance to reverse feed max.	35 Vdc
Output rated current	10 A
Efficiency	99 %
Output limited current	-
Signaling	
Bus communication	Single notification signal
Status indicator	LED (red, green, orange)
Signal output	Output status, short circuit proof high = Channel on, low = Channel off, fault
Signal output (ON/OFF/Reset)	-
Environment	
Type of cooling	Natural convection
Ambient temperature	-25 °C .. +55 °C
Storage temperature	-13 °F .. +185 °F
Derating	-
Relative humidity	5 .. 96 %, without condensation
Required minimum spacing (left/right)	0.00 inch
Required minimum spacing (over/under)	1.18 inch
Safety and protection	
Protection index	IP 20
Safety class	III, without PE connection
Degree of pollution	2
Order numbers	
Order Number	EB-2724-100-4

Type	EB-2724-100-4
Mechanical data	
Terminal and mounting	
Terminals input, (spring clamp terminal)	max. 16 mm ²
Terminals output, (spring clamp terminal)	max 2,5 mm ² (2 x "+")
Terminals signalling, (spring clamp terminal)	max. 2,5 mm ²
Mounting position	horizontal for standard rail DIN TS35
Measures and weights	
Weight	0.09 lbs
Dimensions in inch	



Subject to change.