

# 1-Channel circuit breaker current-limiting **EB-2824-030-0**



EasyB

## Advantages

Automatic channel assignment
Optional undervoltage shutdown in combined network
Additional load outputs through output expanders mountable sidewise
Selective load-dependent activation
3 years warranty

## Applications

Electronic circuit breaker with current-limiting characteristic with alarm signal forwarded for tripped and switched off channels to the connected channels. Starter version with fuse for 24 V loads if active current limitation is required.

## Standards

Safety:  
EN 60950-1, EN 50178, EN/IEC 60204-1  
EMC:  
EN 61000-6-2 (interference immunity), EN 61000-6-3 (emitted interference)  
CE:  
Acc. to 2014/30/EU

## Approvals



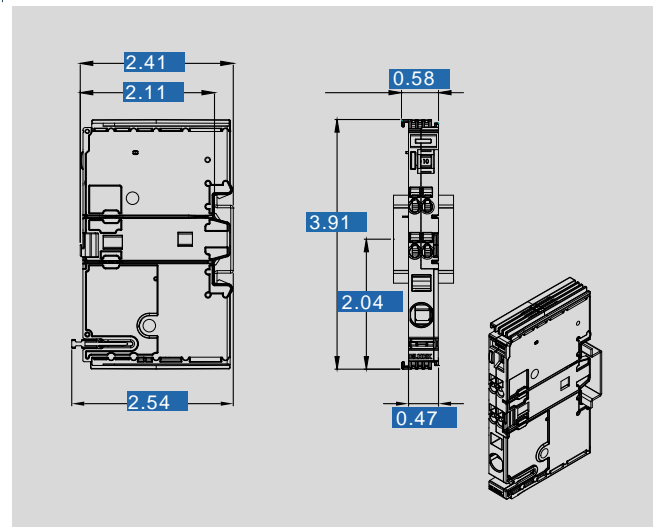
UL 508, UL 2367, DNV GL,  
VW eCl@ss No.27-37-18-02 (prepared)



# 1-Channel circuit breaker current-limiting EB-2824-030-0

Type	EB-2824-030-0
<b>Electrical data</b>	
<b>Special features</b>	
Characteristics	Collective notification signal
<b>Input</b>	
Input rated voltage	24 Vdc
Input voltage range	18 - 30 Vdc
Maximal residual ripple of supplied input voltage	3 %
Max. total input current	3 A
Max. input current for each pole of terminal	10 A (-), 40 A (+)
Required input voltage for turning-on of outputs	17.5 Vdc (Turn-off Threshold 16.7 Vdc), ± 0.7 Vdc
Max. power losses	0,7 W
Over voltage protection	Suppressor diode 33 Vdc
Stand-by current	18,6 mA @ 24 Vdc
Power losses in stand-by mode	0,5 W @ 24 Vdc
Turn on capacity	120 mF @ 24 Vdc / 2,5 mm <sup>2</sup> / 2,5 m
<b>Output</b>	
Output rated voltage	24 Vdc
Maximum voltage drop between input and output	82 mV
Initialization time of module	52 ms
Turn-on delay of outputs	0 ms
Waiting periode after switch-off of an output	500 ms (Short circuit) .. 5 s (Overload)
Parallel use of outputs	Not allowed
Serial use of outputs	not allowed
Resistance to reverse feed max.	35 Vdc
Output rated current	3 A
Efficiency	99 %
Output limited current	typ. 3,75 A
<b>Signaling</b>	
Bus communication	Collective notification signal
Status indicator	LED (red, green, orange)
Signal output	Output status, short circuit proof high = Channel on, low = Channel off, fault
Signal output (ON/OFF/Reset)	-
<b>Environment</b>	
Type of cooling	Natural convection
Ambient temperature	-25 °C .. +70 °C
Storage temperature	-13 °F .. +185 °F
Derating	-
Relative humidity	5 .. 96 %, without condensation
Required minimum spacing (left/right)	0.00 inch
Required minimum spacing (over/under)	1.18 inch
<b>Safety and protection</b>	
Protection index	IP 20
Safety class	III, without PE connection
Degree of pollution	2
<b>Order numbers</b>	
<b>Order Number</b>	<b>EB-2824-030-0</b>

Type	EB-2824-030-0
<b>Mechanical data</b>	
<b>Terminal and mounting</b>	
Terminals input, (spring clamp terminal)	max. 16 mm <sup>2</sup>
Terminals output, (spring clamp terminal)	max 2,5 mm <sup>2</sup> (2 x "+" )
Terminals signalling, (spring clamp terminal)	max. 2,5 mm <sup>2</sup>
Mounting position	horizontal for standard rail DIN TS35
<b>Measures and weights</b>	
Weight	0.09 lbs
<b>Dimensions in inch</b>	



Subject to change.