

Communication modules for the EasyB series **EB-IO-LINK**



Advantages

Intelligent interface for reading and writing of information of connected EasyB modules

EasyB channels switchable individually

Can be used to adjust tripping current

Automatic feedthrough of all signal levels

Applications

Communication modules as interface for connecting a higher-level controller. Compatible with circuit breakers in EB-08, EB-18, and EB-38 versions.

Standards

Safety:
EN 60950-1, EN 50178, EN/IEC 60204-1
EMC:
EN 61000-6-2 (interference immunity), EN 61000-6-3 (emitted interference)
CE:
Acc. to 2014/30/EU

Approvals



UL 508, UL 2367, DNV GL,
VW eCl@ss No.27-37-18-02 (prepared)

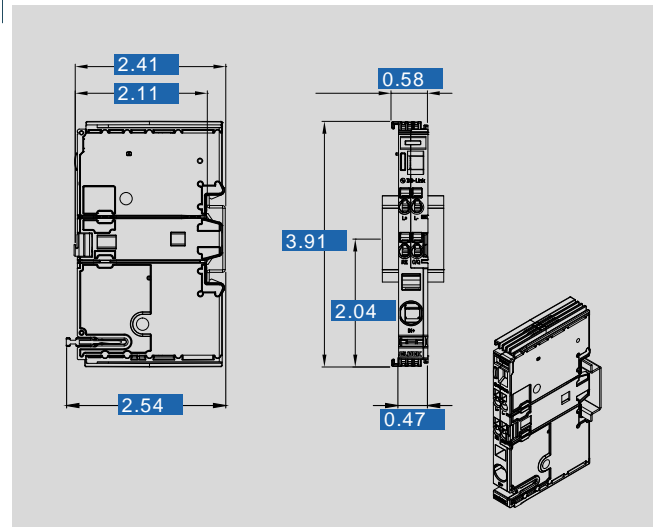


Communication modules for the EasyB series

EB-IO-LINK

Type	EB-IO-LINK
Electrical data	
For use with	EB-0824-xxx-x, EB-1824-xxx-x, EB-3824-xxx-x
General data	
Input rated voltage	24 Vdc
Input voltage range	18 - 30 Vdc
Maximal residual ripple of supplied input voltage	3 %
Required input voltage for turning-on of outputs	17.5 V (Turn-off Threshold 16.7 V), ± 0.7 V
Power dissipation, no load/rated load	0.36 W / 0.80 W
Initialization time of module	4,68 ms
Over voltage protection	Suppressor diode 33 V
Stand-by current	33 mA
Resistance to reverse feed max.	35 Vdc
Interface	IO-LINK COM3 / 230400 B
Bus communication	Read:-state (tripped, On, Off) -set/active current -input voltage -firmware version/serial number Write:-state (on, off, reset)
Process data	
Number	6 Byte
Content	Collective signal, tripped / Channel
Signaling	
Isolated group input	-
Potential-free signal output	-
Potential-free signal output	-
Signal output (ON/OFF/Reset)	Reset input Level high = min. 11 Vdc, max. 30 Vdc Level low = min. 0 Vdc, max. 5 Vdc Jitter: +/- 5 %; +/- 5 ms
Approvals	
Approvals	UL, DNV GL
Environment	
Ambient temperature	-13 °F to + 158 °F
Storage temperature	-13 °F ..+185 °F
Derating	-
Climatic category	3K3
Required minimum spacing (left/right)	0.00 inch
Type of cooling	Natural convection
Required minimum spacing (over/under)	1.18 inch
Relative humidity	5...96 % without condensation
Safety and protection	
Protection index	IP 20
Safety class	III, without PE connection
Degree of pollution	2
Order numbers	
Order Number	EB-IO-LINK

Type	EB-IO-LINK
Mechanical data	
Terminal and mounting	
Terminals input, (spring clamp terminal)	max. 16 mm ²
Terminals interface (spring clamp terminal)	max. 2,5 mm ²
Terminals signalling, (spring clamp terminal)	max. 2,5 mm ²
Mounting position	horizontal for standard rail DIN TS35
Measures and weights	
Weight	0.09 lbs
Dimensions in inch	



Subject to change.