

Safety isolating transformer EL 100/24



Picture shows EL 18/12

Advantages

Solder tab for free wiring

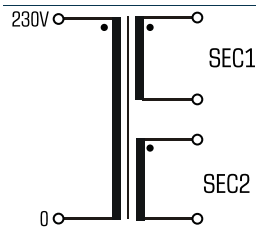
Very good corrosion protection and low noise due to vacuum impregnation

Simple mounting due to robust metal footplate with oval slots

Applications

Safety isolating transformer for the safe electrical isolation of the input and output sides. The transformer is suitable for creating SELV and PELV circuits because of the limit on the output voltage.

Sample application



Standards

Safety isolating transformer
to: VDE 0570 Part 2-6, DIN EN 61558-2-6, EN 61558-2-6, IEC 61558-2-6

Approvals





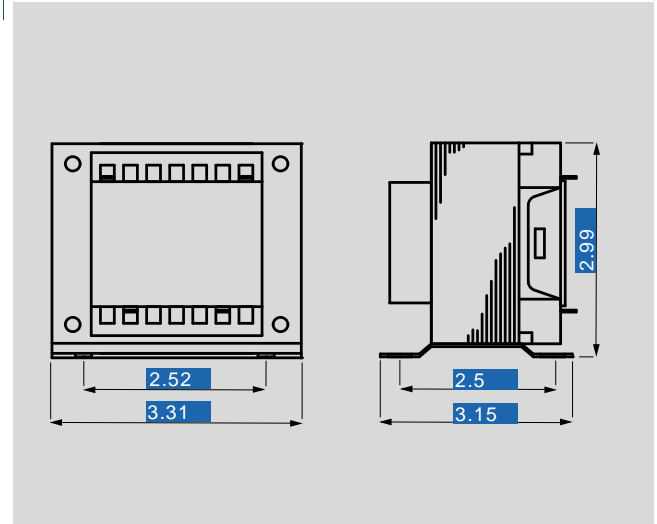
Safety isolating transformer

EL 100/24

Type		EL 100/24
Electrical data	Input	
	Rated input voltage	230 Vac
	Rated frequency	50 - 60 Hz
	Output	
	Rated output voltage	2 x 24 Vac
	Power	100 VA
	No-load voltage (app. x factor)	1.11
	No-load loss (typ.)	4.7 W
	Efficiency	88 %
	Environment	
Ambient temperature max.	104.0 °F	
Safety and protection		
Type	Open type	
Insulation class	E	
Protection index	IP 00	
Safety class (prepared)	II	
Short circuit strength	non-short-circuit proof	
Overload protection	Typ PTC 810 (Accessory - available on request)	
Test voltage	4000 Vac, 50 Hz	
Order numbers		
Order Number	EL 100/24	

Type		EL 100/24
Mechanical data	Terminal and mounting	
	Fixing method	Base plate
	Fixing screws	M4
	Terminals	Solder tab for free wiring
Measures and weights		
Core type	EI 84/43,5	
Weight	4.32 lbs	

Dimensions in inch



Subject to change.