

# Autotransformer ESP 230/1,5



Picture shows ESP 230/10

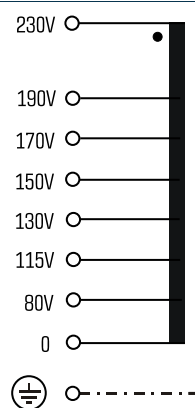
## Advantages

- Low weight and small size (compared to isolating transformers)
- High efficiency
- Very good moisture protection and low noise due to vacuum impregnation
- Contact protected screw connection terminals complying with UVV BGV A3
- Simple mounting due to robust metal footplate with oval slots

## Applications

Autotransformer for example for setting the speed of single-phase fan motors.

## Sample application



## Standards

Autotransformer  
to: VDE 0570 Teil 2-13, DIN EN 61558-2-13, EN 61558-2-13,  
IEC 61558-2-13

## Approvals

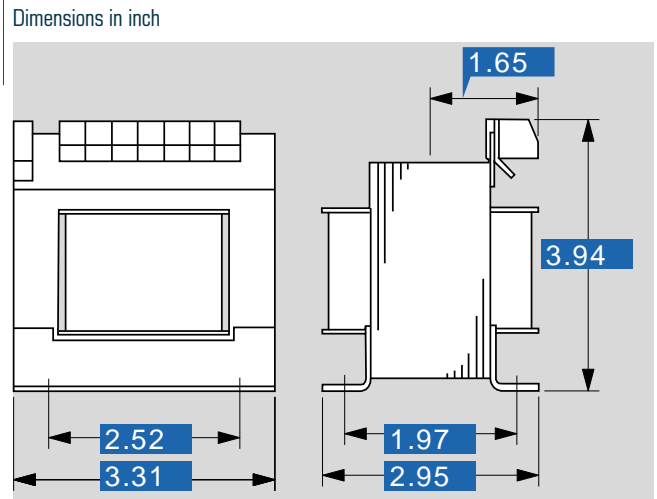




# Autotransformer ESP 230/1,5

| Type                    |                          | ESP 230/1,5                                    |
|-------------------------|--------------------------|--|
| Electrical data         | Input                    |  |
|                         | Rated input voltage      | 230 Vac  |
|                         | Rated frequency          | 50 - 60 Hz                                     |
|                         | Output                   |  |
|                         | Rated output voltage     | 80 Vac/115 Vac/130 Vac/150 Vac/170 Vac/190 Vac |
|                         | Rated output current     | 1.50 A   |
|                         | Environment              |  |
|                         | Ambient temperature max. | 104.0 °F                                       |
|                         | Safety and protection    |  |
|                         | Type                     | Open type                                      |
| Insulation class        | B                        |  |
| Protection index        | IP 00                    |  |
| Safety class (prepared) | I                        |  |
| Short circuit strength  | non-short-circuit proof  |  |
| Order numbers           |                          |  |
| <b>Order Number</b>     | <b>ESP 230/1,5</b>       |  |

| Type            |                       | ESP 230/1,5                        |
|-----------------|-----------------------|------------------------------------|
| Mechanical data | Terminal and mounting |                                    |
|                 | Fixing method         | Fixing rail                        |
|                 | Fixing screws         | M4                                 |
|                 | Terminals             | Screw-type terminals, PE 6.3 x 0.8 |
|                 | Measures and weights  |                                    |
|                 | Weight                | 3.31 lbs                           |



Subject to change.