

Autotransformer ESP 400/0,8



Picture shows ESP 230/10

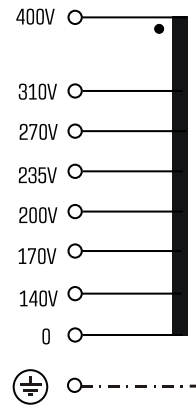
Advantages

- Low weight and small size (compared to isolating transformers)
- High efficiency
- Very good moisture protection and low noise due to vacuum impregnation
- Contact protected screw connection terminals complying with UVV BGV A3
- Simple mounting due to robust metal footplate with oval slots

Applications

Autotransformer for example for setting the speed of single-phase fan motors.

Sample application



Standards

Autotransformer
to: VDE 0570 Teil 2-13, DIN EN 61558-2-13, EN 61558-2-13,
IEC 61558-2-13

Approvals

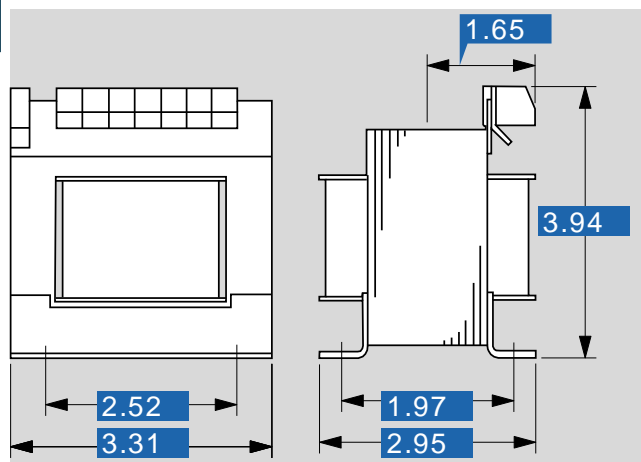




Autotransformer ESP 400/0,8

Electrical data		Type	ESP 400/0,8	Type	ESP 400/0,8
Electrical data	Input			Terminal and mounting	
	Rated input voltage		400 Vac	Fixing method	Fixing rail
	Rated frequency		50 - 60 Hz	Fixing screws	M4
	Output			Terminals	Screw-type terminals, PE 6.3 x 0.8
	Rated output voltage		140 Vac/170 Vac/200 Vac/235 Vac/270 Vac/310 Vac	Measures and weights	
	Rated output current		0.80 A	Weight	3.31 lbs
	Environment			Dimensions in inch	
	Ambient temperature max.		104.0 °F		
	Safety and protection				
	Type		Open type		
Insulation class		B			
Protection index		IP 00			
Safety class (prepared)		I			
Short circuit strength		non-short-circuit proof			
Order numbers					
Order Number			ESP 400/0,8		

30 Mechanical data



Subject to change.