

Autotransformer ESP 400/5,4



Picture shows ESP 230/10

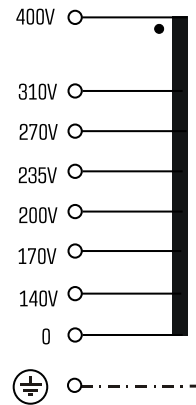
Advantages

- Low weight and small size (compared to isolating transformers)
- High efficiency
- Very good moisture protection and low noise due to vacuum impregnation
- Contact protected screw connection terminals complying with UVV BGV A3
- Simple mounting due to robust metal footplate with oval slots

Applications

Autotransformer for example for setting the speed of single-phase fan motors.

Sample application



Standards

Autotransformer
to: VDE 0570 Part 2-13, DIN EN 61558-2-13, EN 61558-2-13,
IEC 61558-2-13

Approvals

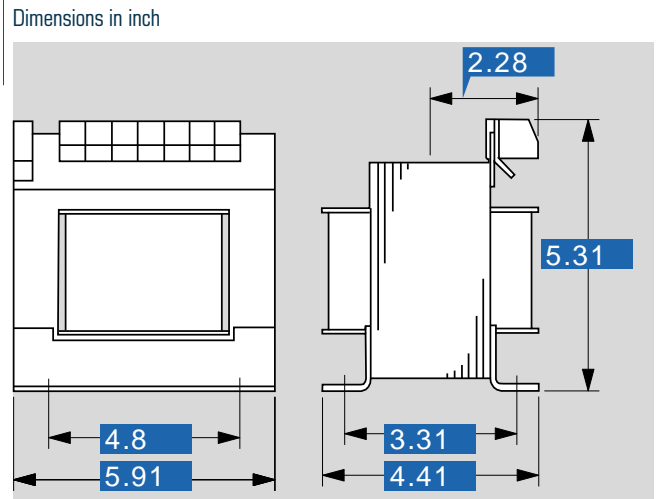




Autotransformer ESP 400/5,4

Type		ESP 400/5,4
Electrical data	Input	
	Rated input voltage	400 Vac
	Rated frequency	50 - 60 Hz
	Output	
	Rated output voltage	140 Vac/170 Vac/200 Vac/235 Vac/270 Vac/310 Vac
	Rated output current	5.40 A
	Environment	
	Ambient temperature max.	104.0 °F
	Safety and protection	
	Type	Open type
Insulation class	B	
Protection index	IP 00	
Safety class (prepared)	I	
Short circuit strength	non-short-circuit proof	
Order numbers		
Order Number		ESP 400/5,4

Type		ESP 400/5,4
Mechanical data	Terminal and mounting	
	Fixing method	Fixing rail
	Fixing screws	M6
	Terminals	Screw-type terminals, PE 6.3 x 0.8
	Measures and weights	
	Weight	17.20 lbs



Subject to change.