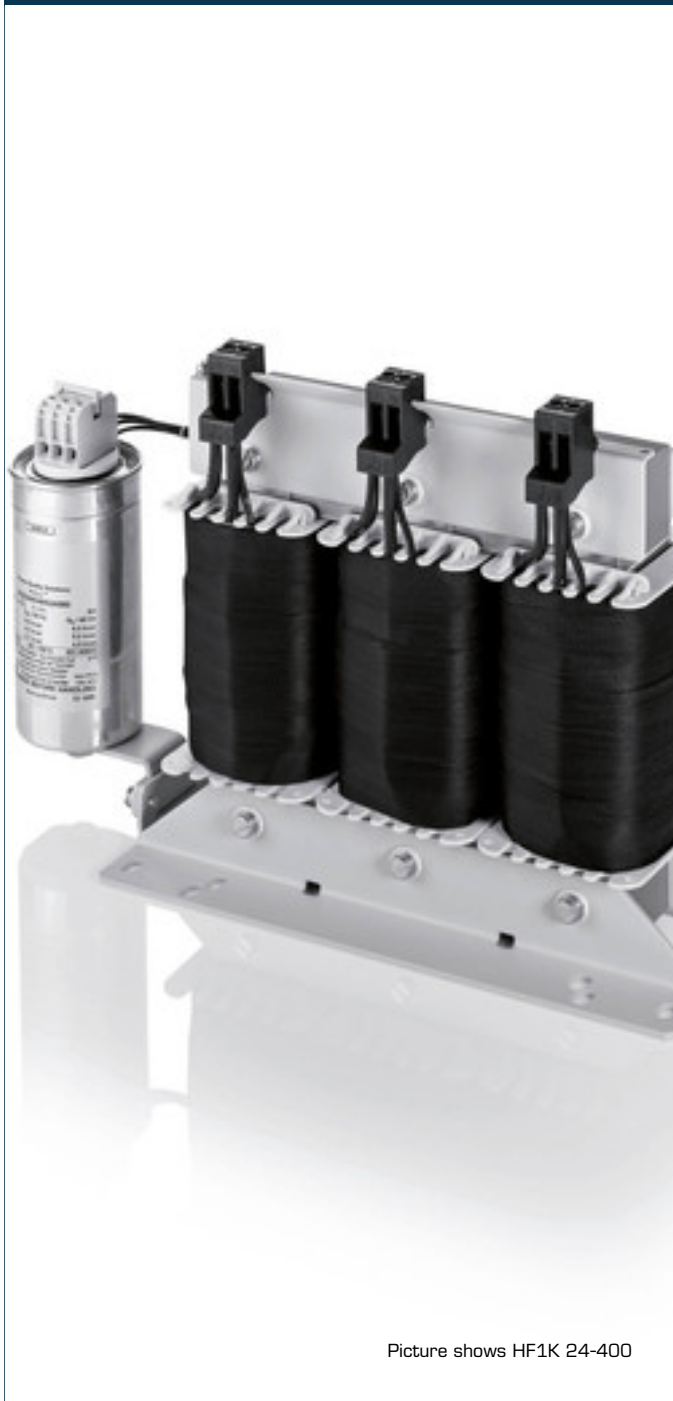


Harmonic filter HF1K 70-400



Picture shows HF1K 24-400

Advantages

Sinusoidal current consumption from the main in devices with uncontrolled B6U diode rectifiers
Compliance with EN 61000-3-2, EN 61000-3-12
Support in the compliance with IEEE 519, D-A-CH-CZ
Power factor >0,95 at rated current
Hardly any intermediate circuit voltage dip by comparison with a 4 % uK line reactor
Harmonic filter with minimum capacitive idle reactive power
Very good corrosion protection and low noise due to vacuum impregnation
Operation at 50 - 60 Hz possible
Use of the HF1K as a central hum filter for multiple converters possible

Applications

Harmonic filter module to ensure sinusoidal main currents, reduction of main harmonic currents, increase in system service life and system reliability and compliance with power quality standards such as IEEE 519, TEC 61000-3-2, IEC 61000-3-12.

Standards

Harmonic filter in accordance with
EN 61558 Part 1, EN 61558 Part 20, UL 508 17th Ed., CSA 22.2 No. 14-10

Approvals



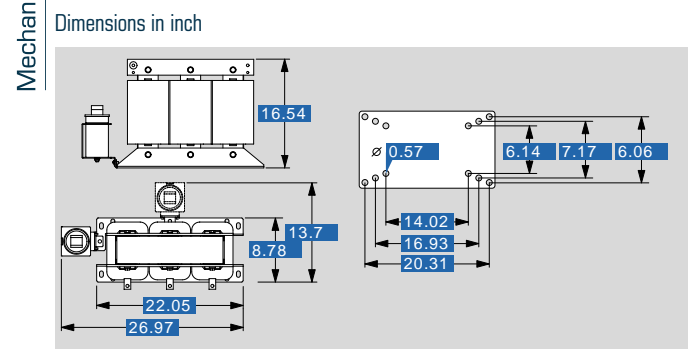
UL 506, CSA 22.2



Harmonic filter HF1K 70-400

Type		HF1K 70-400
Electrical data	Operating data	
	Rated voltage	3 x 400 Vac
	Voltage range	360-440 Vac
	Rated current	3 x 101 A
	THD-I	8 % (nominal load)
	Rated load power	84.48 HP
	Description of the load	Symmetrical loading by converters with B6U input rectifiers
	Overrating Capacity	150 % for 60 sec. every 10 min.
	Efficiency	99 %
	Power loss	550 W
	Capacitive idle power	13.5 kVAr
	Input	
	Rated frequency	50 - 60 Hz
	Approvals	
	Approvals	cURus
	Environment	
	Ambient temperature	14 °F to 113 °F, without condensation
	Type of cooling	Air natural
MTBF @ 122 °F/500 V (MIL-HB-217F)	>500.000 h @ 40°C/400Vac	
Safety and protection		
Type	Open type	
Insulation class	H	
Protection index	IP 00	
Safety class	I	
Notes		
*	IE2 efficiencies of the motors and an efficiency >96 % assumed	
Order numbers		
Order Number	HF1K 70-400	

Type		HF1K 70-400
Terminal and mounting		
Terminals phase	Copper tab, M12 bolt	
Connection type	Bolt, M8	
Fixing method	Mounting lugs	
Measures and weights		
Weight	275.58 lbs	



Subject to change.