

## Harmonic filter HF1P 1,01-230



Picture shows HF1P 0,59-230

## Advantages

Sinusoidal current consumption from the main in devices with uncontrolled B2U diode rectifiers
Compliance with EN 61000-3-2, EN 61000-3-12
Support in the compliance with IEEE 519, D-A-CH-CZ
Power factor >0,95 at rated current
Operation at 50 - 60 Hz possible
Use of the HF1P as a central sum filter for multiple converters possible

## Applications

Harmonic filter module to ensure sinusoidal main currents, reduction of main harmonic currents, increase in system service life and system reliability and compliance with power quality standards such as IEEE 519, TEC 61000-3-2, IEC 61000-3-12.

## Standards

Harmonic filter in accordance with  
EN 61558 Part 1, EN 61558 Part 20, UL 508 17th Ed., CSA 22.2 No. 14-10

## Approvals



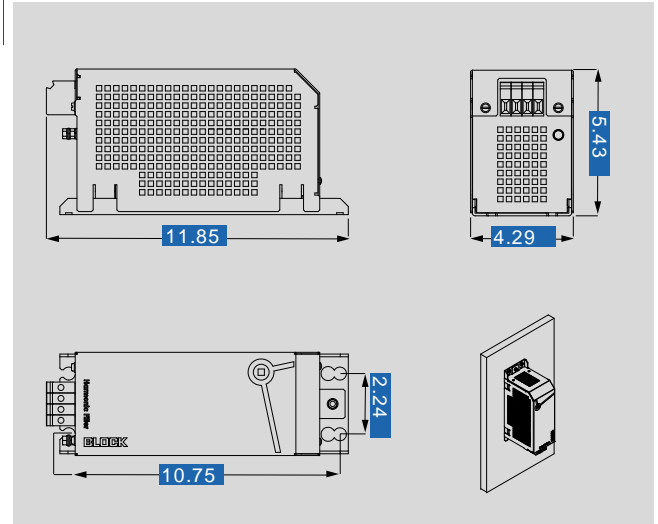


# Harmonic filter HF1P 1,01-230

Type	HF1P 1,01-230
<b>Electrical data</b>	
Operating data	
Rated voltage	230 Vac
Voltage range	207-253 Vac
Rated current	4,44 A
THD-I	10 % at 50 Hz, 18 % at 60 Hz (nominal load)
Rated load power	1.35 HP
Description of the load	Symmetrical loading by converters with B2U input rectifiers
Oversrating Capacity	150 % for 60 sec. every 10 min.
Efficiency	95 %
Power loss	55 W
Capacitive idle power	0.7 kVAr
Input	
Rated frequency	50 - 60 Hz
Environment	
Ambient temperature	14 °F to 104 °F, without condensation
Type of cooling	Air natural
MTBF @ 122 °F/500 V (Mil-HB-217F)	>500.000 h @ 40°C/400Vac
Safety and protection	
Type	Metal enclosure
Insulation class	H
Protection index	IP 20
Safety class	I
Notes	
*	IE2 efficiencies of the motors and an efficiency >96 % assumed
Order numbers	
<b>Order Number</b>	<b>HF1P 1,01-230</b>

Type	HF1P 1,01-230
<b>Mechanical data</b>	
Terminal and mounting	
Terminals phase	Screw clamp, 16 mm <sup>2</sup>
Connection type	Bolt, M6
Fixing method	Mounting lugs
Measures and weights	
Weight	12.35 lbs

## Dimensions in inch



Subject to change.