

Harmonic filter HF1P 5,70-230



Picture shows HF1P 0,59-230

Advantages

Sinusoidal current consumption from the main in devices with uncontrolled B2U diode rectifiers
Compliance with EN 61000-3-2, EN 61000-3-12
Support in the compliance with IEEE 519, D-A-CH-CZ
Power factor >0,95 at rated current
Operation at 50 - 60 Hz possible
Use of the HF1P as a central sum filter for multiple converters possible

Applications

Harmonic filter module to ensure sinusoidal main currents, reduction of main harmonic currents, increase in system service life and system reliability and compliance with power quality standards such as IEEE 519, TEC 61000-3-2, IEC 61000-3-12.

Standards

Harmonic filter in accordance with
EN 61558 Part 1, EN 61558 Part 20, UL 508 17th Ed., CSA 22.2 No. 14-10

Approvals



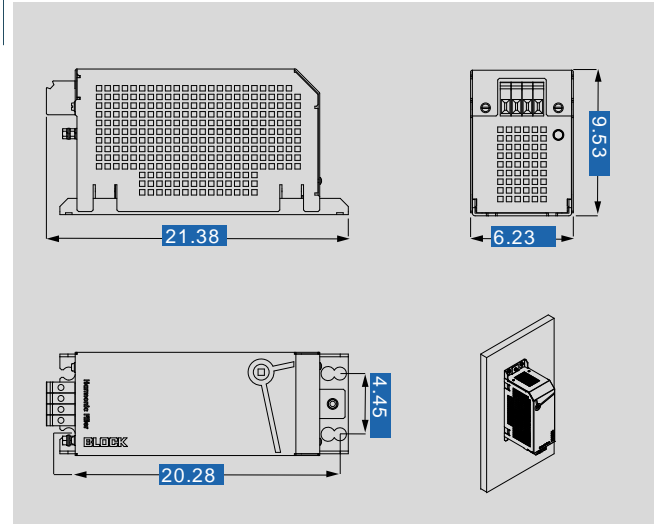


Harmonic filter HF1P 5,70-230

Type		HF1P 5,70-230
Electrical data	Operating data	
	Rated voltage	230 Vac
	Voltage range	207-253 Vac
	Rated current	25.00 A
	THD-I	10 % at 50 Hz, 18 % at 60 Hz (nominal load)
	Rated load power	7.38 hP
	Description of the load	Symmetrical loading by converters with B2U input rectifiers
	Oversrating Capacity	150 % for 60 sec. every 10 min.
	Efficiency	98.7 %
	Power loss	70 W
	Capacitive idle power	4.5 kVAr
	Input	
	Rated frequency	50 - 60 Hz
	Environment	
	Ambient temperature	14 °F to 104 °F, without condensation
Type of cooling	Air natural	
MTBF @ 122 °F/500 V (Mil-HB-217F)	>500.000 h @ 40°C/400Vac	
Safety and protection		
Type	Metal enclosure	
Insulation class	H	
Protection index	IP 20	
Safety class	I	
Notes		
*	IE2 efficiencies of the motors and an efficiency >96 % assumed	
Order numbers		
Order Number	HF1P 5,70-230	

Type		HF1P 5,70-230
Mechanical data	Terminal and mounting	
	Terminals phase	Screw clamp, 16 mm ²
	Connection type	Bolt, M6
	Fixing method	Mounting lugs
	Measures and weights	
	Weight	74.30 lbs

Dimensions in inch



Subject to change.