

Autotransformer JET 1000



Picture shows JET 1000

Advantages

Integrated short-circuit and overload protection

High efficiency

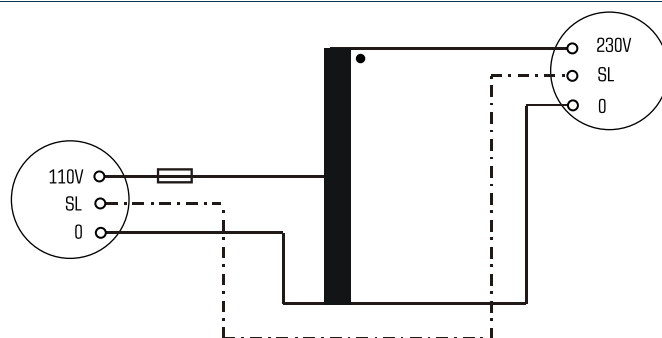
Very good moisture protection and low noise due to XtraDenseFill resin encapsulation

Carrying handle, mains connecting lead NEMA5-15 (USA) and socket for portable application

Applications

Autotransformer for portable application for the adjustment of the voltage in 110 Vac networks to 230 Vac equipment when no electrical isolation is required.

Sample application



Standards

Autotransformer
to: VDE 0570 Teil 2-13, DIN EN 61558-2-13, EN 61558-2-13,
IEC 61558-2-13

Approvals



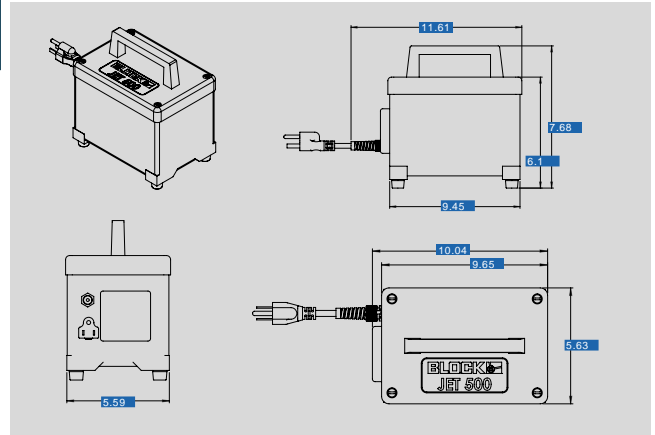


Autotransformer JET 1000

Type		JET 1000
Electrical data	Input	
	Rated input voltage	110 Vac
	Rated frequency	50 - 60 Hz
	Output	
	Rated output voltage	230 Vac
	Power	1,000 VA
	No-load voltage (app. x factor)	1.03
	Efficiency	96 %
	Environment	
	Ambient temperature max.	104.0 °F
	Safety and protection	
	Type	Resin encapsulated transformer
	Insulation class	A
	Protection index	IP 22
	Safety class	I
Short circuit strength	non-inherently short-circuit proof	
Order numbers		
Order Number	JET 1000	

Type		JET 1000
Terminal and mounting	Terminals Input	Connecting cable with NEMAS-15 plug (USA)
	Terminals Output	Protective contact socket
Measures and weights		
Weight		21.38 lbs

Dimensions in inch



Subject to change.