

Autotransformer JET 500



Picture shows JET 1000

Advantages

Integrated short-circuit and overload protection

High efficiency

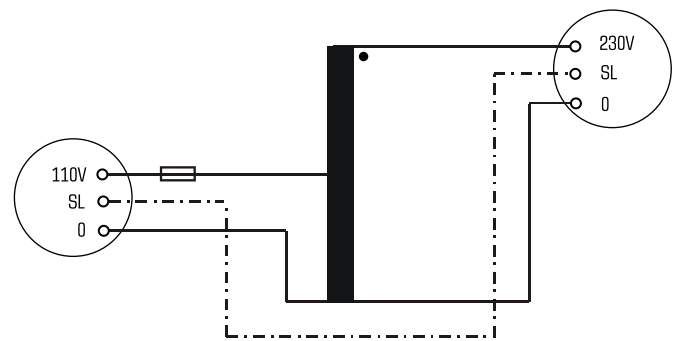
Very good moisture protection and low noise due to XtraDenseFill resin encapsulation

Carrying handle, mains connecting lead NEMA5-15 (USA) and socket for portable application

Applications

Autotransformer for portable application for the adjustment of the voltage in 110 Vac networks to 230 Vac equipment when no electrical isolation is required.

Sample application



Standards

Autotransformer
to: VDE 0570 Teil 2-13, DIN EN 61558-2-13, EN 61558-2-13,
IEC 61558-2-13

Approvals





Autotransformer JET 500

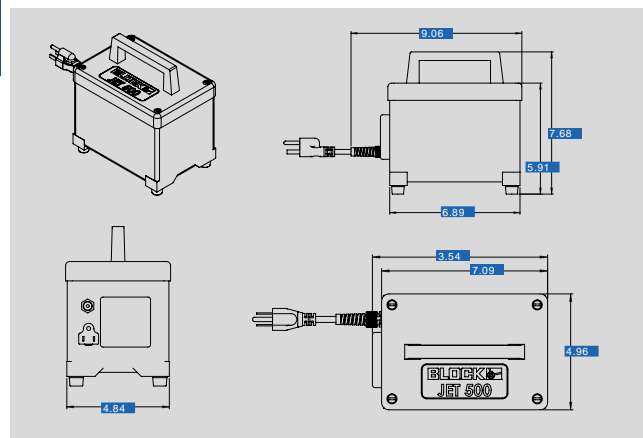
Electrical data

Type	JET 500
Input	
Rated input voltage	110 Vac
Rated frequency	50 - 60 Hz
Output	
Rated output voltage	230 Vac
Power	500 VA
No-load voltage (app. x factor)	1.04
Efficiency	91 %
Environment	
Ambient temperature max.	104.0 °F
Safety and protection	
Type	Resin encapsulated transformer
Insulation class	A
Protection index	IP 22
Safety class	I
Short circuit strength	non-inherently short-circuit proof
Order numbers	
Order Number	JET 500

Mechanical data

Type	JET 500
Terminal and mounting	
Terminals Input	Connecting cable with NEMAS-15 plug (USA)
Terminals Output	Protective contact socket
Measures and weights	
Weight	14.77 lbs

Dimensions in inch



Subject to change.