

Line reactor, three-phase **LR3 40-5/50**



Picture shows LR3 40-4/63

Advantages

Use as line reactor, commutating reactor or PFC reactor
Ensuring the short-circuit voltage of 3, 4 or 5 % to the mains
Power harmonic mitigation
Starting current limitation
Increases the service life of equipment
Low ripple
Bridging voltage dips
Peak current limitation
Very good corrosion protection and low noise due to vacuum impregnation
Integrated lifting rings
Multifunctional fixing rails

Applications

Line reactor to minimize mains pollution, to reduce the reactive-power components and charging currents in the DC link capacitor and to improve the $\cos(\phi)$.

Standards

Line- and commutation reactor to
DIN EN 61558-2-20, IEC 61558-2-20, UL 506, CSA 22.2

Approvals



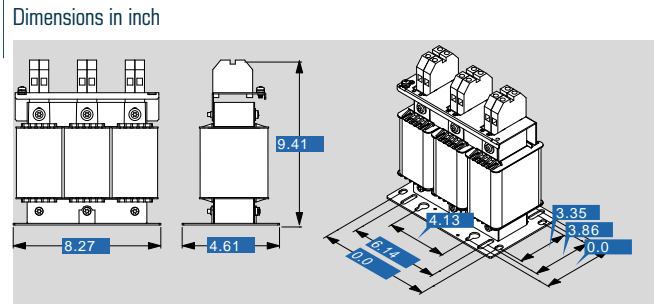
UL 506, CSA 22.2



Line reactor, three-phase LR3 40-5/50

Type		LR3 40-5/50
Electrical data	Operating data	
	Rated voltage	3 x 400 Vac
	Rated voltage (IEC)	3 x 690 Vac
	Rated voltage (UL)	3 x 600 Vac
	Short circuit voltage uK	5 % @ 400 Vac
	Voltage drop	11.6 Vac
	Rated current	3 x 50 A
	Rated frequency	50 - 60 Hz
	Inductance	0.735 mH
	Inductance deviation	±10%
	Output	
	Power loss	172.8 W
	Approvals	
	Approvals	cURus
	Environment	
Ambient temperature	14 °F to +104 °F	
Type of cooling	AN	
Safety and protection		
Type	Open type	
Insulation class	IEC=F, UL=class 155	
Protection index	IP 00	
Safety class (prepared)	I	
Test voltage	4000 Vac	
Order numbers		
Order Number	LR3 40-5/50	

Type		LR3 40-5/50
Mechanical data	Terminal and mounting	
	Terminals phase	Screw clamp, 35 mm ² for M6
	Connection type	for M6
	Fixing method	Fixing rail
	Fixing screws	M6
	Measures and weights	
	Weight	23.81 lbs



Subject to change.