

Motor reactor MDB 400/16



Picture shows MDB 400/6,3

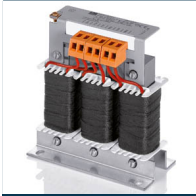
Advantages

High damping of edge steepness
High damping of inverter switching frequency
Reduction of leakage current
Long shielded cable lengths possible
High efficiency
Very good corrosion protection and low noise due to vacuum impregnation

Standards

Output reactor for frequency converter
DIN EN 61558-2-20, IEC 61558-2-20

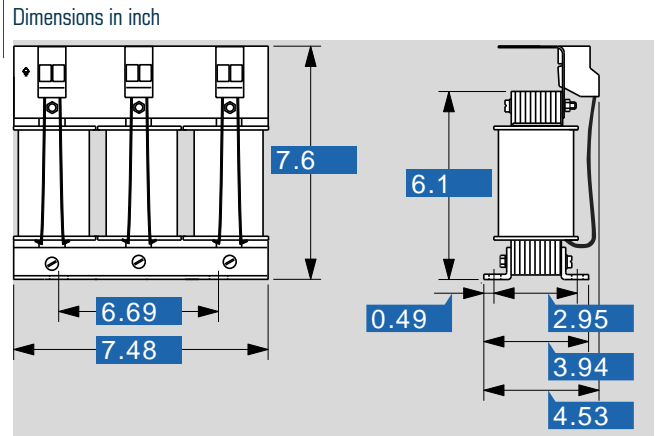
Approvals



Motor reactor MDB 400/16

Type		MDB 400/16
Electrical data	Operating data	
	Rated voltage	3 x 400 Vac
	Voltage range	3 x 0 - 500 Vac
	Rated current	16 A
	for motor rated output approx.	10.06 HP
	Inductance	0.9 mH
	Rated frequency	0 - 120 Hz
	Switching frequency	2 - 6 kHz
	Environment	
	Ambient temperature max.	104.0 °F
	Safety and protection	
	Type	Open type
	Insulation class	F
	Protection index	IP 00
	Safety class (prepared)	I
Test voltage	2500 Vac, 50 Hz	
Order numbers		
Order Number	MDB 400/16	

Type		MDB 400/16
Mechanical data	Terminal and mounting	
	Terminals phase	Screw clamp, 10 mm ²
	Connection type	Bolt, M4
	Fixing method	Fixing rail
	Fixing screws	M6
	Measures and weights	
	Weight	22.05 lbs



Subject to change.