

# Three-phase primary switched mode power supply **PC-0324-200-2**



Picture shows PC-0324-100-0

## Advantages

Stabilized and adjustable output voltage
Fast tripping of conventional circuit breakers
DC OK indicator
Parallel operation
Push-in terminals
Robust DIN rail mounting
Resistant to transient overvoltages up to 4 kV
Optional with 50 % Power Boost (PC-03xx-xxx-2)
3 years warranty

## Applications

The economic power supplies in the Power Compact series set new standards in their class. Above-average robustness against transients and energetic surge pulses at their input and equipped with essential additional aspects for a worldwide high plant availability. The output voltage can be set easily using the rotary potentiometer on the front of the housing. The robust DIN rail fastening method and push-in connection terminals enable fast and secure mounting. All versions are available as option with 50% power reserves for high inrush current applications.

## Standards

Primary switched mode power supply  
to UL 60950, UL 508

Safety:  
EN 61558-2-16, EN 60950-1

EMC:  
EN 61204-3

## Approvals



UL/CSA 60950 recognised, UL508 listed, Germanischer Lloyd

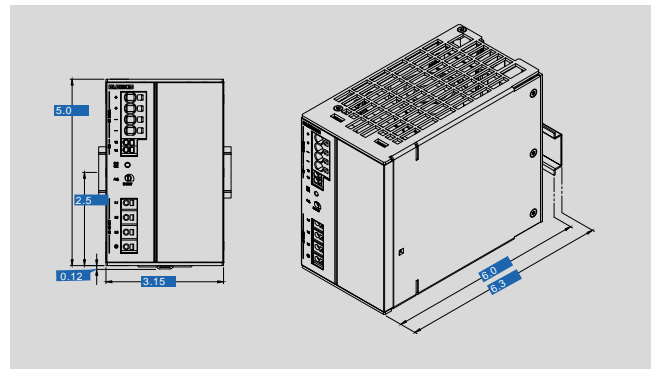


# Three-phase primary switched mode power supply

## PC-0324-200-2

Type	PC-0324-200-2
<b>Electrical data</b>	
<b>Special features</b>	
Characteristics	Power Boost
<b>Input</b>	
Input rated voltage	400 - 500 Vac
Input voltage range	320 - 575 Vac
Input voltage derating	-
Rated frequency range	44 Hz - 66 Hz / 0 Hz
Input rated current (rated load)	3 x 1.21 A (400 Vac) / 1.03 A (500 Vac)
Starting current limiter	< 30 A, NTC
Input fuse internal	-
Recommended back-up fuse (circuit breaker)	6 A, 10 A, 16 A, characteristic B, C
Transient surge voltage protection	Varistor
<b>Output</b>	
Output rated voltage	24 Vdc
Output voltage range	23 - 28.5 Vdc
Output rated current	20 A
Output limited current	typ. 22 A (constant current)
Power Boost	30 A / 5 s
Tripping of LS circuit breakers	max. B6/C6/K4 @ 6mm <sup>2</sup> /20m
Parallel connection	Yes
Serial operation	Yes
Power dissipation, no load/rated load	4.03 W / 42.53 W (400 Vac)
Efficiency	typ. 92 %
Ripple factor	typ. 30 mVss
Resistance to reverse feed max.	35 Vdc
Over-voltage-protection	max. 40 Vdc
<b>Signaling</b>	
Status indicator	LED green
Signal output	Relay contact
<b>Approvals</b>	
Approvals	cURus, cULus, GL (in preparation)
<b>Environment</b>	
Type of cooling	natural convection
Ambient temperature	-13 °F to +158 °F
Storage temperature	-13 °F to +185 °F
Derating	-2.5 %/K > +131 °F
Required minimum spacing (left/right)	0.00 inch
Required minimum spacing (over/under)	1.97 inch
<b>Safety and protection</b>	
Protection index	IP 20
Safety class	I, with PE connection
<b>Order numbers</b>	
<b>Order Number</b>	<b>PC-0324-200-2</b>

Type	PC-0324-200-2
<b>Mechanical data</b>	
<b>Environment</b>	
Mounting position	horizontal for standard rail DIN TS35
<b>Terminal and mounting</b>	
Terminals signalling (direct plug-in technology Push-in)	max 2,5 mm <sup>2</sup>
Terminals input (direct plug-in technology Push-in)	max 2,5 mm <sup>2</sup>
Terminals output (direct plug-in technology Push-in)	max 6 mm <sup>2</sup>
<b>Measures and weights</b>	
Weight	3.33 lbs
<b>Dimensions in inch</b>	



Subject to change.