

Three-phase primary switched mode power supply **PC-0324-400-2**



Picture shows PC-0324-100-0

Advantages

Stabilized and adjustable output voltage
Fast tripping of conventional circuit breakers
DC OK indicator
Parallel operation
Push-in terminals
Robust DIN rail mounting
Resistant to transient overvoltages up to 4 kV
Optional with 50 % Power Boost (PC-03xx-xxx-2)
3 years warranty

Applications

The economic power supplies in the Power Compact series set new standards in their class. Above-average robustness against transients and energetic surge pulses at their input and equipped with essential additional aspects for a worldwide high plant availability. The output voltage can be set easily using the rotary potentiometer on the front of the housing. The robust DIN rail fastening method and push-in connection terminals enable fast and secure mounting. All versions are available as option with 50% power reserves for high inrush current applications.

Standards

Primary switched mode power supply
to UL 60950, UL 508

Safety:
EN 61558-2-16, EN 60950-1

EMC:
EN 61204-3

Approvals



UL/CSA 60950 recognised, UL508 listed, Germanischer Lloyd

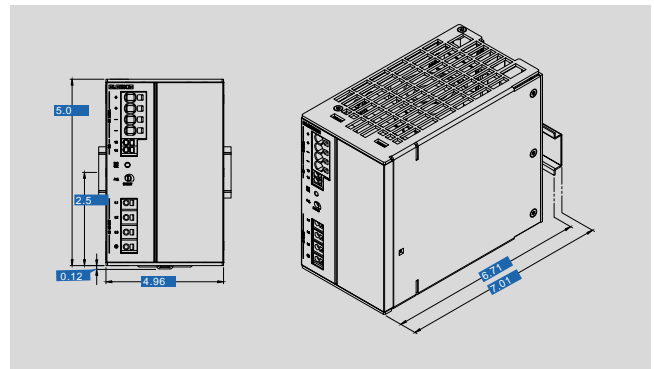


Three-phase primary switched mode power supply

PC-0324-400-2

Type	PC-0324-400-2
Electrical data	
Special features	Power Boost
Characteristics	
Input	
Input rated voltage	400 - 500 Vac
Input voltage range	320 - 575 Vac
Input voltage derating	-
Rated frequency range	44 Hz - 66 Hz / 0 Hz
Input rated current (rated load)	3 x 2.15 A (400 Vac) / 1.82 A (500 Vac)
Starting current limiter	< 30 A, NTC
Input fuse internal	-
Recommended back-up fuse (circuit breaker)	6 A, 10 A, 16 A, characteristic B, C
Transient surge voltage protection	Varistor
Output	
Output rated voltage	24 Vdc
Output voltage range	23 - 28.5 Vdc
Output rated current	40 A
Output limited current	typ. 44 A (constant current)
Power Boost	60 A / 5 s
Tripping of LS circuit breakers	max. B10/C6/K4 @ 6/10mm ² /40m
Parallel connection	Yes
Serial operation	Yes
Power dissipation, no load/rated load	2.78 W / 83.91 W (400 Vac)
Efficiency	typ. 92.5 %
Ripple factor	typ. 30 mVss
Resistance to reverse feed max.	35 Vdc
Over-voltage-protection	max. 40 Vdc
Signaling	
Status indicator	LED green
Signal output	Relay contact
Approvals	
Approvals	cURus, cULus, GL (in preparation)
Environment	
Type of cooling	natural convection
Ambient temperature	-13 °F to +158 °F
Storage temperature	-13 °F to +185 °F
Derating	-2.5 %/K > +131 °F
Required minimum spacing (left/right)	0.00 inch
Required minimum spacing (over/under)	1.97 inch
Safety and protection	
Protection index	IP 20
Safety class	I, with PE connection
Order numbers	
Order Number	PC-0324-400-2

Type	PC-0324-400-2
Mechanical data	
Environment	
Mounting position	horizontal for standard rail DIN TS35
Terminal and mounting	
Terminals signalling (direct plug-in technology Push-in)	max 2,5 mm ²
Terminals input (direct plug-in technology Push-in)	max 2,5 mm ²
Terminals output (direct plug-in technology Push-in)	max 16 mm ²
Measures and weights	
Weight	5.97 lbs
Dimensions in inch	



Subject to change.