

Constant current LED driver for High Power LED

PLED-0194-011-1



Picture shows PLED-0194-011-0

Advantages

Dimmable versions available (10 - 100 %)
Extremely robust against transient overvoltages
Protection of LEDs against voltage peaks and overtemperature (external NC required)
Very wide output voltage range for a wide range of applications
Long service life

Applications

Outdoor LED lightning with increased overvoltage resistance requirements

Standards

Safety:
EN 61347-2-13

EMI:
EN 6100-3-2, EN 55015 (emitted interference), EN 61547 (interference immunity)

Approvals



VDE (EN 61347)

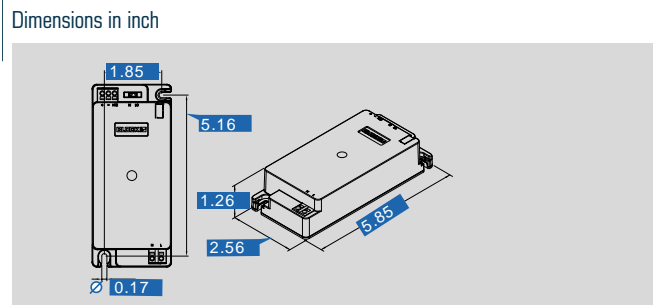


Constant current LED driver for High Power LED

PLED-0194-011-1

Type		PLED-0194-011-1
Electrical data	Special features	
	Characteristics	dimnable
	Input	
	Input rated voltage	220 - 240 Vac
	Input voltage range	196 Vac - 264 Vac 250 Vdc - 375 Vdc
	Over voltage protection	6 kV (1,2 / 50 µs)
	Power factor	> 0,95
	Input fuse internal	6,3 AT
	Frequency Range	47...63 Hz / 0 Hz
	Output	
	Output voltage normal operation	max. 94 Vdc
	Output voltage range	12 - 94 V (63 V at 1050 mA)
	Over-voltage-protection	<120 V
	Output rated current (switchable)	700 mA / 1050 mA
	Overload behaviour	Hiccup
	Parallel connection	Yes
	max. Power loss idling/nominal load	6,6 W (700 mA)/ 7,2 W (1050 mA)
	Dimming range	10 ... 100 %
	Dimming voltage	1 ... 10 V
	Efficiency	typ. 90 %
Environment		
Ambient temperature	-25 °C - 60 °C	
Storage temperature	-40 °F - 176 °F	
Required minimum spacing (left/right)	0,00 inch	
Type of cooling	natural convection	
Safety and protection		
Protection index	IP 20	
Safety class (prepared)	II	
Order numbers		
Order Number	PLED-0194-011-1	

Type		PLED-0194-011-1
Mechanical data	Terminal and mounting	
	Terminals input (direct plug-in technology Push-in)	max. 2,5 mm ²
	Terminals output (direct plug-in technology Push-in)	max. 2,5 mm ²
	Dimming input spring-loaded, plug-in	max. 0,5 mm ²
	Fixing method	Screw-on housing
Measures and weights		
Weight	0.55 lbs	



Subject to change.