

Single-phase, primary switched mode power supply, Economy PVSE 230/12-15



Picture shows PVSE 230/24-10

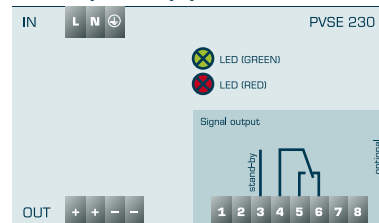
Advantages

Stabilized and adjustable output voltage
Up to 200 % Real Power Boost for 4 seconds
Top Boost to trip conventional circuit breakers
DC OK indicator
Stand-by-input
Parallel connection option
Service-friendly spring-loaded connector system
Optional with active inrush current limiter

Applications

Primary switched mode power supply with massive power reserves focussing on the key task of power supply.

Sample application



Standards

Primary switched mode power supply
to UL 60950, UL 508

Safety:
EN 61558-2-16, EN 60950-1

EMC:
EN 61204-3

Approvals





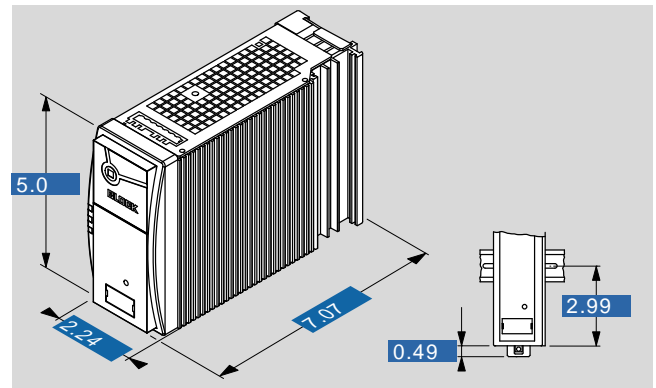
Single-phase, primary switched mode power supply, Economy

PVSE 230/12-15

Type	PVSE 230/12-15
Electrical data	
Special features	
Characteristics	Active inrush current limit
Input	
Input rated voltage	100 - 240 Vac
Input rated current (rated load)	1.9 / 0.9 Aac (110 / 230 Vac)
Input voltage range	85 - 264 Vac (120 - 373 Vdc)
Rated frequency range	44 Hz - 66 Hz / 0 Hz
Starting current limiter	<8 A, active
Input fuse internal	6.3 A (slow-blow)
Recommended back-up fuse (circuit breaker)	10 A, 16 A, characteristics B, C
Harmonic correction	active
Mains buffering (rated load)	30 / 30 ms (110 / 230 Vac)
Transient surge voltage protection	Varistor
Output	
Output rated voltage	12 Vdc
Output voltage range	11 - 18 Vdc
Resistance to reverse feed max.	25 Vdc
Output rated current	15 A
Parallel connection	Yes, for increased power with redundancy module
Power Boost	30 A / 4 s (22.5 A / 8 s)
Overload behaviour	Constant current
max. Power loss idling/nominal load	4.6 / 23.4 W
Serial operation	Yes
Efficiency	typ. 87 %
Ripple factor	typ. 70 mVss
Top Boost	55 A / 25 ms
Signaling	
Stand-by-input	Yes
Power Good (DC OK)	LED green, LED red
Potential-free signal contact	Yes
Approvals	
Approvals	cURus, cULus
Environment	
Storage temperature	-13 °F to +185 °F
Derating	-3 %/K > +122 °F, -1.5 %/Vac < 110 Vac
Ambient temperature	-10 °C to +70 °C
Safety and protection	
Safety class	I, with PE connection
Protection index	IP 20
Accessory	
Connector for signalling	PV-CON (optional)
Side DIN rail mounting	PV-TS35M (optional)
Direct screw fastening plate for lateral mounting	PV-WB2 (optional)
Order numbers	
Order Number	PVSE 230/12-15

Type	PVSE 230/12-15
Mechanical data	
Terminal and mounting	
Terminals input, (spring clamp terminal, pluggable)	max. 2.5 mm ²
Terminals output, (spring clamp terminal, pluggable)	max. 2.5 mm ²
Terminals signalling, (spring clamp terminal, pluggable)	max. 0.5 mm ²
Mounting position	vertical
Fixing method	DIN Rail system TS35
Measures and weights	
Weight	2.87 lbs

Dimensions in inch



Subject to change.