

# Single-phase, primary switched mode power supply, Economy **PVSE 230/48-10**



Picture shows PVSE 230/24-10

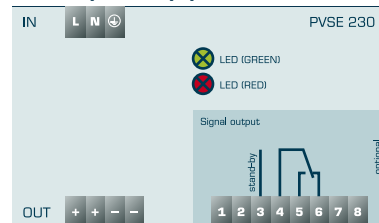
## Advantages

Stabilized and adjustable output voltage
Up to 200 % Real Power Boost for 4 seconds
Top Boost to trip conventional circuit breakers
DC OK indicator
Stand-by-input
Parallel connection option
Service-friendly spring-loaded connector system
Optional with active inrush current limiter

## Applications

Primary switched mode power supply with massive power reserves focussing on the key task of power supply.

## Sample application



## Standards

Primary switched mode power supply  
to UL 60950, UL 508

Safety:  
EN 61558-2-16, EN 60950-1

EMC:  
EN 61204-3

## Approvals



UL/CSA 60950 recognised, UL508 listed

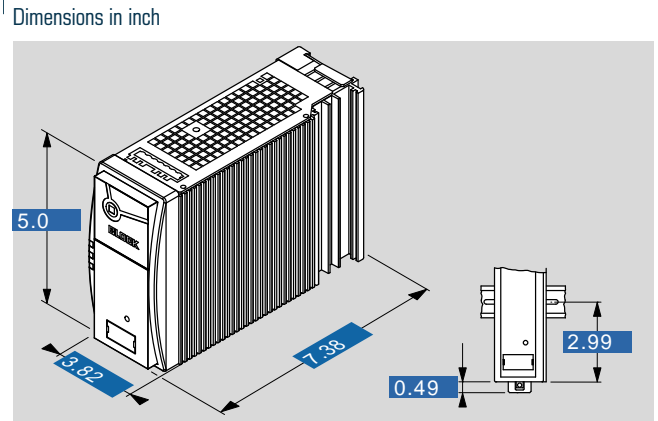


# Single-phase, primary switched mode power supply, Economy

## PVSE 230/48-10

Type	PVSE 230/48-10
<b>Electrical data</b>	
Special features	
Characteristics	Active inrush current limit
Input	
Input rated voltage	110 - 240 Vac
Input rated current (rated load)	5.7 / 2.3 Aac (110 / 230 Vac)
Input voltage range	85 - 264 Vac (120 - 373 Vdc)
Rated frequency range	44 Hz - 66 Hz / 0 Hz
Starting current limiter	<8 A, active
Input fuse internal	10 A (slow-blow)
Recommended back-up fuse (circuit breaker)	10 A, 16 A, characteristics B, C
Harmonic correction	active
Mains buffering (rated load)	20 / 25 ms (110 / 230 Vac)
Transient surge voltage protection	Varistor
Output	
Output rated voltage	48 Vdc
Output voltage range	33 - 52 Vdc
Resistance to reverse feed max.	63 Vdc
Output rated current	10 A
Parallel connection	Yes, for increased power
Power Boost	15 A / 4 s (12.5 A / 8 s)
Overload behaviour	Constant current
max. Power loss idling/nominal load	4.8 / 50.2 W
Serial operation	Yes
Efficiency	typ. 91 %
Ripple factor	typ. 70 mVss
Top Boost	40 A / 25 ms
Signaling	
Stand-by-input	Yes
Power Good (DC OK)	LED green, LED red
Potential-free signal contact	Yes
Approvals	
Approvals	cURus, cULus
Environment	
Storage temperature	-13 °F to +185 °F
Derating	-3 %/K > +122 °F, -1.5 %/Vac < 110 Vac
Ambient temperature	-10 °C to +70 °C
Safety and protection	
Safety class	I, with PE connection
Protection index	IP 20
Accessory	
Connector for signalling	PV-CON (optional)
Side DIN rail mounting	PV-TS35M (optional)
Direct screw fastening plate for lateral mounting	PV-WB2 (optional)
Order numbers	
Order Number	<b>PVSE 230/48-10</b>

Type	PVSE 230/48-10
<b>Mechanical data</b>	
Terminal and mounting	
Terminals input, (spring clamp terminal, pluggable)	max. 2.5 mm <sup>2</sup>
Terminals output, (spring clamp terminal, pluggable)	max. 10 mm <sup>2</sup>
Terminals signalling, (spring clamp terminal, pluggable)	max. 0.5 mm <sup>2</sup>
Mounting position	vertical
Fixing method	DIN Rail system TS35
Measures and weights	
Weight	5.07 lbs



Subject to change.