

Three-phase, primary switched mode power supply, Economy **PVSE 400/48-10**



Picture shows PVSE 400/24-10

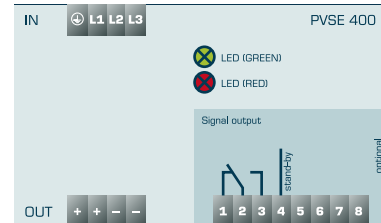
Advantages

Stabilized and adjustable output voltage
Up to 200 % Real Power Boost for 4 seconds
Top Boost to trip conventional circuit breakers
DC OK indicator
Parallel connection option
Service-friendly spring-loaded connector system
Can be supplied with isolated DC OK signalling function
Panel installation on mounting rails

Applications

Primary switched mode power supply with massive power reserves focussing on the key task of power supply.

Sample application



Approvals



UL/CSA 60950 recognised, UL508 listed

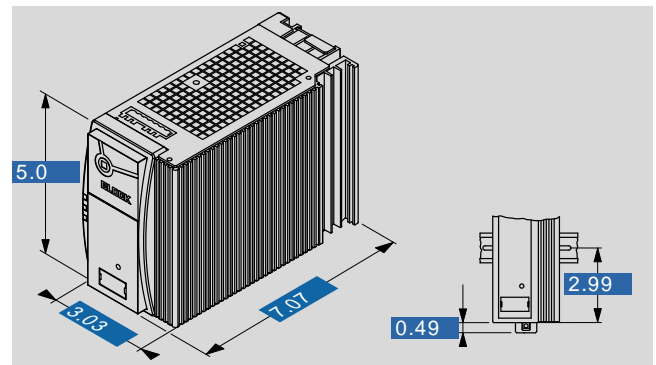


Three-phase, primary switched mode power supply, Economy

PVSE 400/48-10

Type	PVSE 400/48-10
Electrical data	
Input	
Input rated voltage	3 x 400 - 500 Vac
Input voltage range	340 - 550 Vac (480 - 780 Vdc)
Input rated current (rated load)	1.1 A (3 x 340 Vac)
Rated frequency range	44 Hz - 66 Hz / 0 Hz
Starting current limiter	<30 A, NTC
Input fuse internal	3 x 6.3 A (slow-blow)
Recommended back-up fuse (circuit breaker)	10 A, 16 A, characteristics B, C
Harmonic correction	passive
Mains buffering (rated load)	12 / 35 ms (400 / 500 Vac)
Transient surge voltage protection	Varistor
Output	
Output rated voltage	48 Vdc
Output voltage range	37 - 51 Vdc
Resistance to reverse feed max.	63 Vdc
Output rated current	10 A
Parallel connection	Yes
Power Boost	15 A / 4 s (12.5 A / 8 s)
Overload behaviour	Constant current
max. Power loss idling/nominal load	8.2 / 38 W
Serial operation	Yes
Efficiency	typ. 93 %
Ripple factor	typ. 70 mVss
Top Boost	55 A / 50 ms
Signaling	
Power Good (DC OK)	LED green, LED red
Potential-free signal contact	Yes
Stand-by-input	Yes
Approvals	
Approvals	cURus, cULus
Environment	
Ambient temperature	-13 °F to 158° F
Storage temperature	-13 °F to +185 °F
Derating	-3 %/K > +122 °F
Safety and protection	
Protection index	IP 20
Safety class	I, with PE connection
Accessory	
Connector for signalling	PV-CON (optional)
Side DIN rail mounting	PV-TS35M (optional)
Direct screw fastening plate for lateral mounting	PV-WB2 (optional)
Order numbers	
Order Number	PVSE 400/48-10

Type	PVSE 400/48-10
Mechanical data	
Terminal and mounting	
Terminals input, (spring clamp terminal, pluggable)	max. 2.5 mm ²
Terminals output, (spring clamp terminal, pluggable)	max. 10 mm ²
Terminals signalling, (spring clamp terminal, pluggable)	max. 0.5 mm ²
Mounting position	vertical
Fixing method	DIN Rail system TS35
Measures and weights	
Weight	3.88 lbs
Dimensions in inch	



Subject to change.