

Three-phase, primary switched mode power supply, Line **PVSL 400/24-20**



Picture shows PVSL 400/24-20

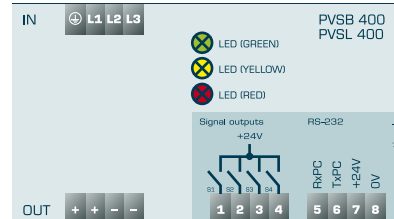
Advantages

Power input monitoring
LCD
Output current and output voltage monitoring
RS-232 interface
Stabilized and adjustable output voltage
Up to 200 % real power boost for 4 seconds
Top Boost to trip conventional circuit breakers
3 LEDs and active signal outputs to indicate operating status
Parallel connection option
Service-friendly spring-loaded connector system
Panel installation on mounting rails

Applications

Primary switched mode power supply with high power reserves for all automation requirements with a variety of parameter setting and display functions, including output current and output voltage monitoring. Intelligent additional functions for the input power to replace a variety of external devices such as diagnostic Voltmeter, phase meter, hour meter.

Sample application



Standards

Primary switched mode power supply
to UL 60950, UL 508

Safety:
EN 61558-2-16, EN 60950-1

EMC:
EN 61204-3

Approvals



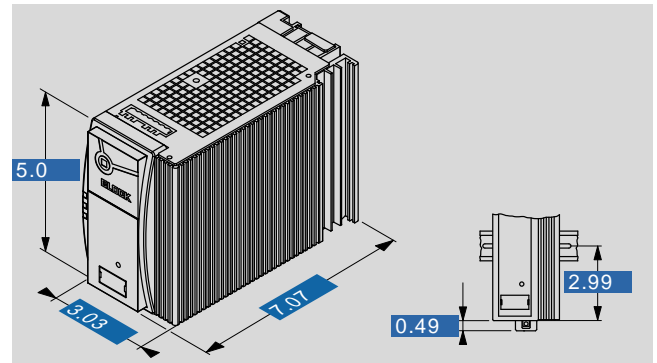
UL/CSA 60950 recognised, UL508 listed



Three-phase, primary switched mode power supply, Line PVSL 400/24-20

Type	PVSL 400/24-20
Electrical data	
Input	
Input rated voltage	3 x 400 - 500 Vac
Input voltage range	340 - 550 Vac (480 - 780 Vdc)
Input rated current (rated load)	1.1 A (3 x 340 Vac)
Rated frequency range	44 Hz - 66 Hz / 0 Hz
Starting current limiter	<30 A, NTC
Input fuse internal	3 x 2.5 A (slow-blow)
Recommended back-up fuse (circuit breaker)	6 A, 10 A, 16 A, characteristics B, C
Harmonic correction	passive
Mains buffering (rated load)	13.2 / 36.8 ms (400 / 500 Vac)
Transient surge voltage protection	Varistor
Output	
Output rated voltage	24 Vdc
Output voltage range	22.8 - 28.8 Vdc
Resistance to reverse feed max.	35 Vdc
Output rated current	20 A
Parallel connection	Yes
Power Boost	40 A / 4 s (30 A / 8 s)
Overload behaviour	Constant current or fuse
Efficiency	typ. 92.9%
Ripple factor	typ. 70 mVss
Top Boost	80 A / 50 ms
Signaling	
Power Good (DC OK)	LED green, LED red, LED yellow
Active signal outputs	4 x 24 Vdc, 2 configurable
Stand-by-input	No
Display, interface	Yes, RS 232
Approvals	
Approvals	cURus, cULus
Environment	
Ambient temperature	-13 °F to +158 °F
Storage temperature	-13 °F to +185 °F
Derating	-3%/K > +122 °F
Safety and protection	
Protection index	IP 20
Safety class	I, with PE connection
Accessory	
Connector for signalling	PV-CON (optional)
Adapter cable for interface	PV-KOK2 (optional)
Side DIN rail mounting	PV-TS35M (optional)
Direct screw fastening plate for lateral mounting	PV-WB2 (optional)
Order numbers	
Order Number	PVSL 400/24-20

Type	PVSL 400/24-20
Mechanical data	
Terminal and mounting	
Terminals input, (spring clamp terminal, pluggable)	max. 2.5 mm ²
Terminals output, (spring clamp terminal, pluggable)	max. 10 mm ²
Terminals signalling, (spring clamp terminal, pluggable)	max. 0.5 mm ²
Mounting position	vertical
Fixing method	DIN Rail system TS35
Measures and weights	
Weight	3.88 lbs
Dimensions in inch	



Subject to change.