

# Control- and isolating transformer ST 630/4/23



Picture shows ST 160/23-23

## Advantages

|   |
|---|
| Reduced inrush current  |
| High power density due to a compact construction design                 |
| Primary side $\pm 5\%$ taps for voltage adjustment                      |
| Very good corrosion protection and low noise due to vacuum impregnation |
| Contact protected screw connection terminals complying with UVV BGV A3  |
| Simple mounting due to robust metal footplate with oval slots           |

## Applications

As a control transformer for the electrical isolation of the input and output sides. The construction of the transformer to supply control systems according to VDE 0113 is designed.

As an isolating transformer for the safe electrical isolation of the input and output sides. The transformer may be used to set up protective separation as a protective measure in accordance with VDE 0100.

As a safety isolating transformer for the safe electrical isolation of the input and output sides. The transformer is suitable for creating SELV and PELV circuits because of the limit on the output voltage.

## Sample application



## Standards

Control transformer  
to: VDE 0570 Teil 2-2, DIN EN 61558-2-2, EN 61558-2-2, IEC 61558-2-2,  
UL 5085-1/-2, CSA 22.2 No.66  
Isolating transformer  
to: VDE 0570 Part 2-4, DIN EN 61558-2-4, EN 61558-2-4, IEC 61558-2-4,  
UL 5085-1/-2, CSA 22.2 No.66

## Approvals



VDE, UL 5085-1/-2, CSA 22.2 No.66

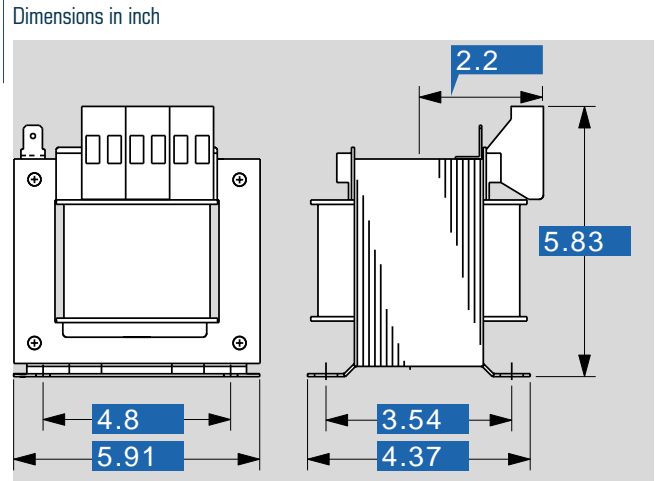


# Control- and isolating transformer

## ST 630/4/23

| Type   |                                    | ST 630/4/23 |
|--|------------------------------------|-------------|
| Electrical data  | Input                              |             |
|  | Rated input voltage                | 400 Vac     |
|  | Tappings Input                     | ±5 %        |
|  | Rated frequency                    | 50 - 60 Hz  |
|  | Output                             |             |
|  | Rated output voltage               | 230 Vac     |
|  | Rated power VDE (DB cos phi=1)     | 630 VA      |
|  | Rated power VDE (KB cos phi=0.5)   | 1,540 VA    |
|  | No-load voltage (app. x factor)    | 1.05        |
|  | Efficiency                         | 92 %        |
| UL Derating  | 500 VA                             |             |
| Standards  |                                    |             |
| Classification   | Control- and isolating transformer |             |
| Approvals  |                                    |             |
| Approvals  | cURus, VDE                         |             |
| Environment  |                                    |             |
| Ambient temperature max.   | 104.0 °F                           |             |
| Type of cooling  | by self-cooling                    |             |
| Safety and protection  |                                    |             |
| Type   | Open type                          |             |
| Insulation class   | VDE=B, UL=class 105                |             |
| Protection index   | IP 00                              |             |
| Safety class (prepared)  | I                                  |             |
| Short circuit strength   | non-short-circuit proof            |             |
| PRI Fusing recommendation by circuit breaker with tripping characteristic type 20 x Irated related to set) |                                    |             |
| Setting range  | 1.60 - 2.50 A                      |             |
| Setting value  | 1.7 A                              |             |
| Order numbers  |                                    |             |
| <b>Order Number</b>  | <b>ST 630/4/23</b>                 |             |

| Type            |                       | ST 630/4/23                        |
|-----------------|-----------------------|------------------------------------|
| Mechanical data | Terminal and mounting |                                    |
|                 | Terminals             | Screw-type terminals, PE 6.3 x 0.8 |
|                 | Fixing method         | Base plate                         |
|                 | Fixing screws         | M6                                 |
|                 | Measures and weights  |                                    |
|                 | Weight                | 16.98 lbs                          |



Subject to change.