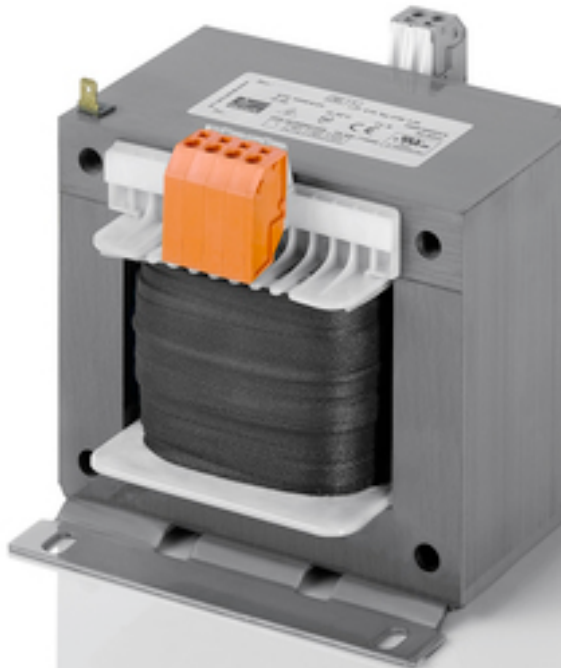


Control- and safety isolating transformer STE 320/23/24



Picture shows STE 1000/4/23

Advantages

Reduced inrush current
High power density due to a compact construction design
Primary side $\pm 5\%$ taps for voltage adjustment
Very good corrosion protection and low noise due to vacuum impregnation
Fast installation because of the use of cage-clamp terminals
Contact protected screw connection terminals complying with UVV BGV A3
Simple mounting due to robust metal footplate with oval slots
DIN rail clamp included up to 250 VA

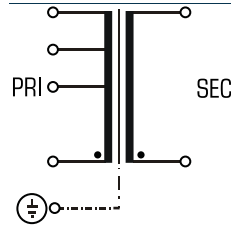
Applications

As a control transformer for the electrical isolation of the input and output sides. The construction of the transformer to supply control systems according to VDE 0113 is designed.

As an isolating transformer for the safe electrical isolation of the input and output sides. The transformer may be used to set up protective separation as a protective measure in accordance with VDE 0100.

As a safety isolating transformer for the safe electrical isolation of the input and output sides. The transformer is suitable for creating SELV and PELV circuits because of the limit on the output voltage.

Sample application



Standards

Control transformer

to: VDE 0570 Teil 2-2, DIN EN 61558-2-2, EN 61558-2-2, IEC 61558-2-2,
UL 5085-1/-2, CSA 22.2 No.66

Safety isolating transformer

to: VDE 0570 Part 2-6, DIN EN 61558-2-6, EN 61558-2-6, IEC 61558-2-6,
UL 5085-1/-2, CSA 22.2 No.66

Approvals



UL 5085-1/-2, CSA 22.2 No.66

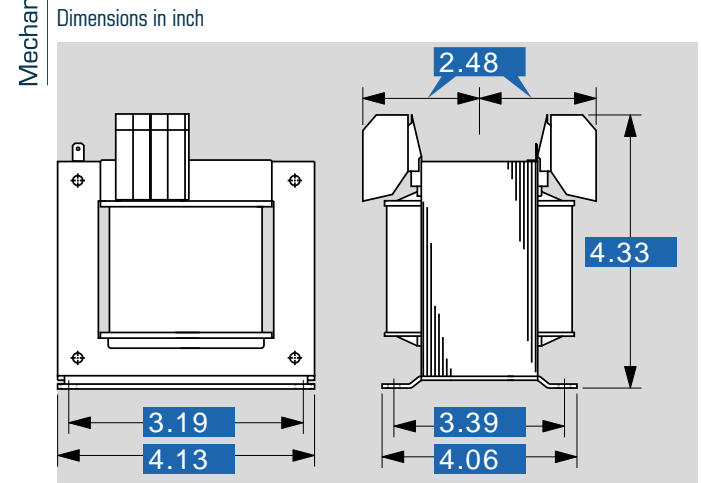


Control- and safety isolating transformer

STE 320/23/24

Type		STE 320/23/24
Electrical data	Input	
	Rated input voltage	230 Vac
	Tappings Input	±5 %
	Rated frequency	50 - 60 Hz
	Output	
	Rated output voltage	24 Vac
	Rated power VDE (DB cos phi=1)	320 VA
	Rated power VDE (KB cos phi=0.5)	1.120 VA
	No-load voltage (app. x factor)	1.05
	Efficiency	91 %
	Standards	
	Classification	Control- and safety isolating transformer
	Approvals	cURus
	Environment	
	Ambient temperature max.	104.0 °F
	Type of cooling	self-cooling
	Safety and protection	
	Type	Open type
	Insulation class	VDE=B, UL=class 130
Protection index	IP 00	
Safety class (prepared)	I	
Short circuit strength	non-short-circuit proof	
PRI Fusing recommendation by circuit breaker with tripping characteristic type 20 x I _{rated} related to set)		
Setting range	1.00 - 1.60 A	
Setting value	1.5 A	
Order numbers		
Order Number	STE 320/23/24	

Type		STE 320/23/24
Terminal and mounting	Fixing method	Base plate
	Fixing screws	M5
	Terminals	Spring clamp terminal, PE 6.3 x 0.8
Measures and weights	Weight	9.48 lbs



Subject to change.