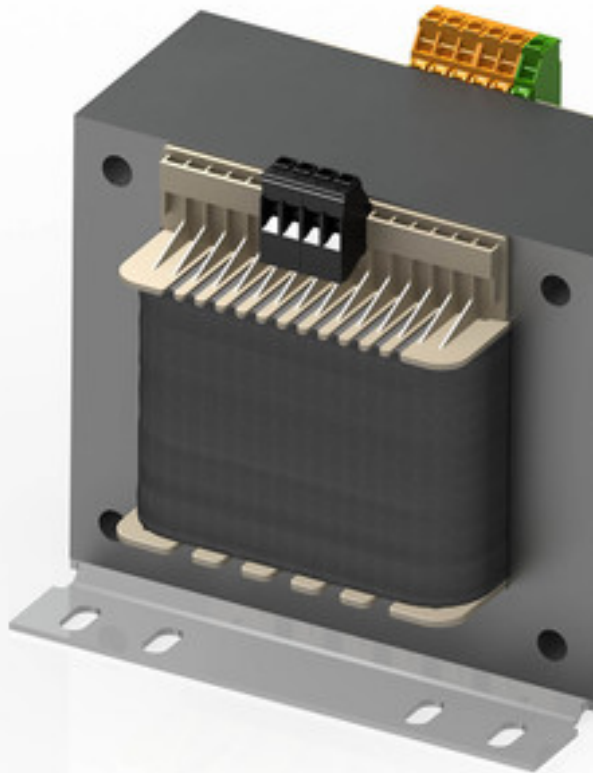


Control- and isolating transformer STSU 2000/23



Picture shows STSU 1600/23

Advantages

Dual input voltage 230 and 400 Vac
Shielding winding between input and output
Reduced inrush current
High power density due to a compact construction design
Primary side ± 15 V taps for voltage adjustment
Very good corrosion protection and low noise due to vacuum impregnation
Contact protected screw connection terminals complying with UVV BGV A3
Simple mounting due to robust metal footplate with oval slots
DIN rail clamp included 63 - 250 VA

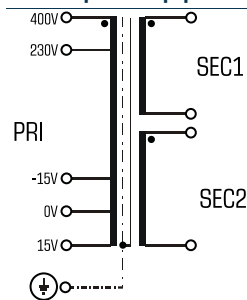
Applications

As a control transformer for the electrical isolation of the input and output sides. The construction of the transformer to supply control systems according to VDE 0113 is designed.

As an isolating transformer for the safe electrical isolation of the input and output sides. The transformer may be used to set up protective separation as a protective measure in accordance with VDE 0100.

As a safety transformer for the safe electrical isolation of the input and output sides. The transformer is suitable for creating SELV and PELV circuits because of the limit on the output voltage.

Sample application



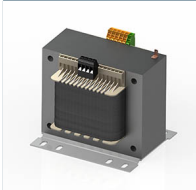
Standards

Control transformer
to: VDE 0570 Teil 2-2, DIN EN 61558-2-2, EN 61558-2-2, IEC 61558-2-2,
UL 5085-1/-2, CSA 22.2 No.66
Isolating transformer
to: VDE 0570 Teil 2-4, DIN EN 61558-2-4, EN 61558-2-4, IEC 61558-2-4,
UL 1561, CSA 22.2 No.66

Approvals



UL 5085-1/-2, CSA 22.2 No.66

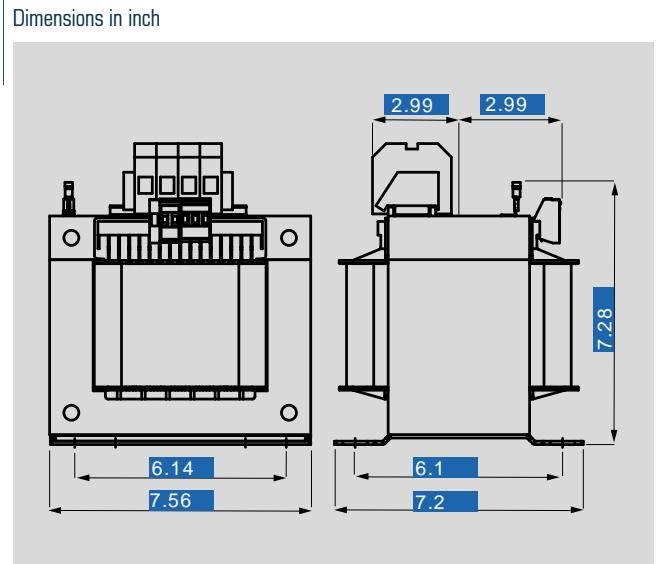


Control- and isolating transformer

STSU 2000/23

Type		STSU 2000/23
Electrical data	Input	
	Rated frequency	50 - 60 Hz
	Rated input voltage	230/400 Vac
	Tappings Input	±15 V
	Output	
	Efficiency	95 %
	No-load voltage (app. x factor)	1.02
	Rated output voltage	2 x 115 Vac
	Rated power VDE (DB cos phi=1)	2,000 VA
	Rated power VDE (KB cos phi=0.5)	10,900 VA
	Standards	
	Classification	Control- and isolating transformer
	Approvals	
	Approvals	cURus
	Environment	
	Ambient temperature max.	104.0 °F
Type of cooling	self cooling	
Safety and protection		
Insulation class	VDE=B, UL=class 130	
Protection index	IP 00	
Safety class (prepared)	I	
Type	Open type	
Short circuit strength	non-short-circuit proof	
Order numbers		
Order Number	STSU 2000/23	

Type		STSU 2000/23
Mechanical data	Terminal and mounting	
	Fixing method	Base plate
	Fixing screws	M8
	Terminals	Screw-type terminals
	Measures and weights	
	Weight	57.32 lbs



Subject to change.