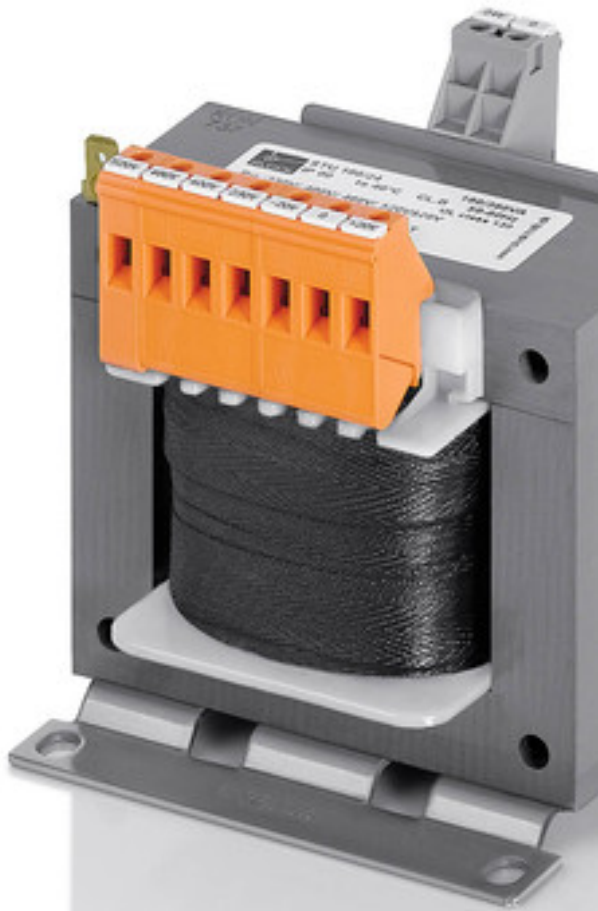


# Control- and safety isolating transformer STU 130/24



Picture shows STU 160/24

## Advantages

Universal input voltages 210 to 540 Vac
Reduced inrush current
High power density due to a compact construction design
Very good corrosion protection and low noise due to vacuum impregnation
Contact protected screw connection terminals complying with UVV BGV A3
Simple mounting due to robust metal footplate with oval slots

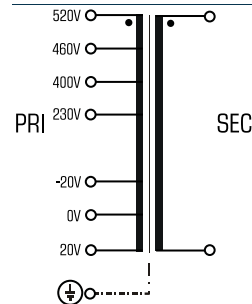
## Applications

As a control transformer for the electrical isolation of the input and output sides. The construction of the transformer to supply control systems according to VDE 0113 is designed.

As an isolating transformer for the safe electrical isolation of the input and output sides. The transformer may be used to set up protective separation as a protective measure in accordance with VDE 0100.

As a safety isolating transformer for the safe electrical isolation of the input and output sides. The transformer is suitable for creating SELV and PELV circuits because of the limit on the output voltage.

## Sample application



## Standards

Control transformer  
to: VDE 0570 Teil 2-2, DIN EN 61558-2-2, EN 61558-2-2, IEC 61558-2-2,  
UL 5085-1/-2, CSA 22.2 No.66  
Safety isolating transformer  
to: VDE 0570 Teil 2-6, DIN EN 61558-2-6, EN 61558-2-6, IEC 61558-2-6, UL  
5085-1/-2, CSA 22.2 No.66

## Approvals



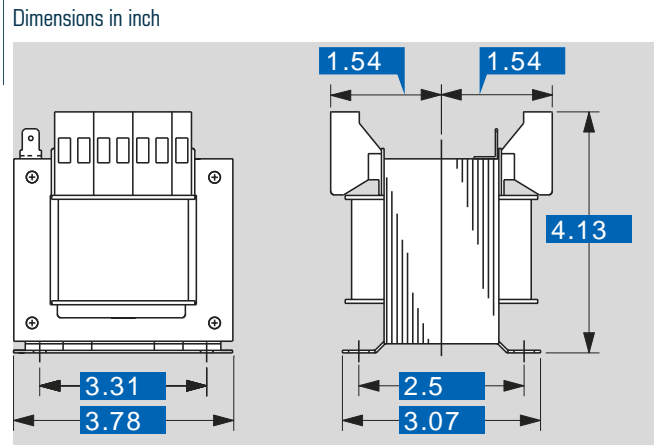
VDE, UL 5085-1/-2, CSA 22.2 No.66



# Control- and safety isolating transformer STU 130/24

Type		STU 130/24
<b>Electrical data</b>	Input	210 Vac/230 Vac/250 Vac/ 380 Vac/400 Vac/420 Vac/ 440 Vac/460 Vac/480 Vac/ 500 Vac/520 Vac/540 Vac
	Rated input voltage	
	Rated frequency	50 - 60 Hz
	Output	
	Rated output voltage	24 Vac
	Rated power VDE (DB cos phi=1)	130 VA
	Rated power VDE (KB cos phi=0.5)	300 VA
	No-load voltage (app. x factor)	1.10
	Efficiency	86 %
	UL Derating	-
Standards		
Classification	Control- and safety isolating transformer	
Approvals		
Approvals	cURus, VDE	
Environment		
Ambient temperature max.	104,0 °F	
Type of cooling	by self-cooling	
Safety and protection		
Type	Open type	
Insulation class	VDE=B, UL=class 105	
Protection index	IP 00	
Safety class (prepared)	I	
Short circuit strength	non-short-circuit proof	
PRI Fusing recommendation by circuit breaker with tripping characteristic type 20 x I <sub>rated</sub> related to set)		
Setting range 230 ±20 Vac	0.63 - 1.00 A	
Setting value 230 ±20 Vac	0.66 A	
Setting range 400 ±20 Vac	0.40 - 0.63 A	
Setting value 400 ±20 Vac	0.38 A	
Setting range 460 ±20 Vac	0.25 - 0.40 A	
Setting value 460 ±20 Vac	0.33 A	
Setting range 520 ±20 Vac	0.25 - 0.40 A	
Setting value 520 ±20 Vac	0.3 A	
Order numbers		
<b>Order Number</b>	<b>STU 130/24</b>	

Type		STU 130/24
<b>Mechanical data</b>	Terminal and mounting	
	Fixing method	Base plate
	Fixing screws	M5
Terminals	Screw-type terminals, PE 6.3 x 0.8	
Measures and weights		
Weight	5.07 lbs	



Subject to change.