

Control- and isolating transformer TT1 10-44-23



Picture shows TT1 20-4/23

Advantages

Safe galvanic isolation
Patented assembly technology
Very good corrosion protection and low noise due to vacuum impregnation
Primary side $\pm 5\%$ taps for voltage adjustment
Fixed, contact protected screw connection terminals complying with UVV BGV A3
Multiple mounting dimensions
Space saving due to horizontal design
Integrated crane eyes
Non-slip terminals

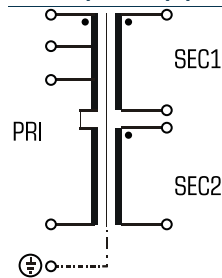
Applications

Isolating transformer for the safe electrical isolation of the input and output sides. The transformer may be used to set up protective separation as a protective measure in accordance with VDE 0100.

As a control transformer for the electrical isolation of the input and output sides. The construction of the transformer to supply control systems according to VDE 0113 is designed.

As a safety isolating transformer for the safe electrical isolation of the input and output sides. The transformer is suitable for creating SELV and PELV circuits because of the limit on the output voltage.

Sample application



Standards

Control transformer
to: VDE 0570 Teil 2-2, DIN EN 61558-2-2, EN 61558-2-2, IEC 61558-2-2,
UL 5085-1/-2, CSA 22.2 No.66
Isolating transformer
to: VDE 0570 Part 2-4, DIN EN 61558-2-4, EN 61558-2-4, IEC 61558-2-4,
UL 5085-1/-2, CSA 22.2 No.66

Approvals



UL 5085, CSA 22.2 (E 103521)



Control- and isolating transformer

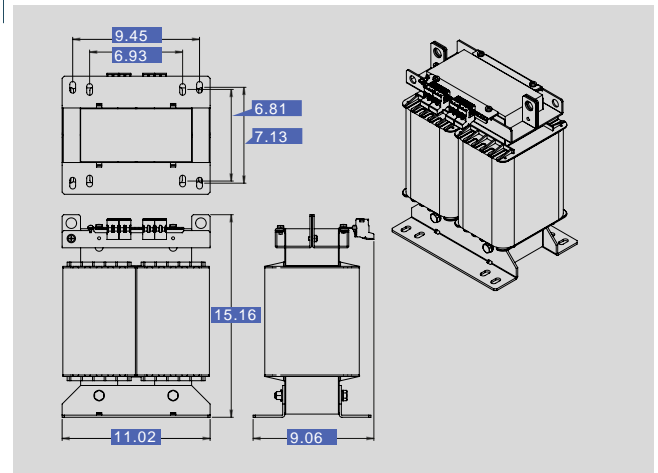
TT1 10-44-23

Electrical data

Type	TT1 10-44-23
Input	
Rated input current	24.2 A/23.2 A/22.2 Aac
Rated input voltage	418/440/462 Vac
Rated frequency	50 - 60 Hz
Output	
Rated output current	43.5 Aac
Rated output voltage	2 x 115 Vac
Rated power VDE (DB cos phi=1)	10,000 VA
Rated power VDE (KB cos phi=0.5)	34,300 VA
Short circuit voltage uK	ca. 1.5%
Vector group	iii0
Efficiency	97 %
Standards	
Classification	Control- and isolating transformer
Approvals	
Approvals	cURus
Environment	
Ambient temperature max.	104.0 °F
Type of cooling	AN
Safety and protection	
Insulation class	VDE=F, UL=class 155
Protection index	IP 00 IPXXB on request
Safety class (prepared)	I
Type	Open type
Short circuit strength	non-short-circuit proof
Order numbers	
Order Number	TT1 10-44-23

Mechanical data

Type	TT1 10-44-23
Terminal and mounting	
Fixing method	Fixing rail
Fixing screws	M10
Terminals	Screw-type terminal
Measures and weights	
Core type	UI 210/103
Weight	165.35 lbs
Dimensions in inch	



Subject to change.