

Control- and safety isolating transformer USTE 250/2x12



Picture shows USTE 1000/2x115

Advantages

Universal input voltages 208 to 600 Vac
Reduced inrush current
High power density due to a compact construction design
Very good corrosion protection and low noise due to vacuum impregnation
Fast installation because of the use of cage-clamp terminals
Contact protected screw connection terminals complying with UVV BGV A3
Simple mounting due to robust metal footplate with oval slots
DIN rail clamp included up to 250 VA

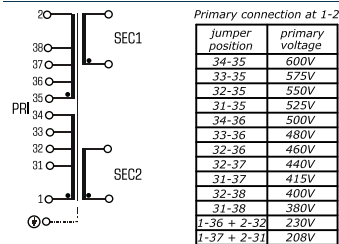
Applications

As a control transformer for the electrical isolation of the input and output sides. The construction of the transformer to supply control systems according to VDE 0113 is designed.

As an isolating transformer for the safe electrical isolation of the input and output sides. The transformer may be used to set up protective separation as a protective measure in accordance with VDE 0100.

As a safety isolating transformer for the safe electrical isolation of the input and output sides. The transformer is suitable for creating SELV and PELV circuits because of the limit on the output voltage.

Sample application



Standards

Control transformer
to: VDE 0570 Teil 2-2, DIN EN 61558-2-2, EN 61558-2-2, IEC 61558-2-2,
UL 5085-1/-2, CSA 22.2 No.66
Safety isolating transformer
to: VDE 0570 Teil 2-6, DIN EN 61558-2-6, EN 61558-2-6, IEC 61558-2-6, UL
5085-1/-2, CSA 22.2 No.66

Approvals



UL 5085-1/-2, CSA 22.2 No.66

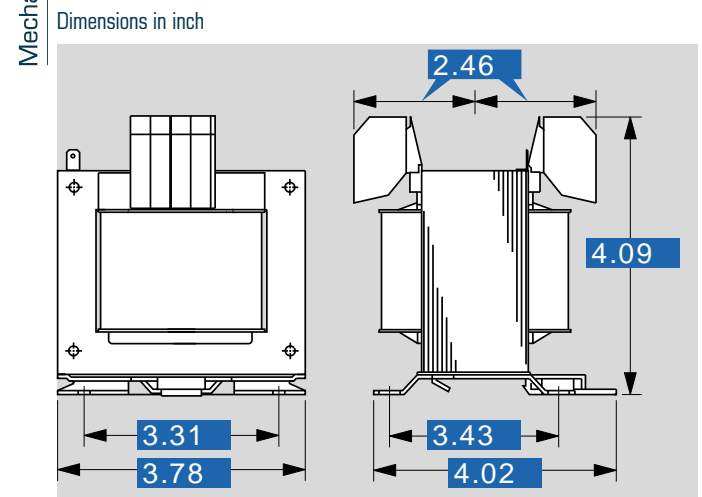


Control- and safety isolating transformer

USTE 250/2x12

Type		USTE 250/2x12
Electrical data	Input	
	Rated input voltage	208 Vac/ 230 Vac/ 380 Vac/ 400 Vac/ 415 Vac/ 440 Vac/ 460 Vac/ 480 Vac/ 500 Vac/ 525 Vac/ 550 Vac/ 575 Vac/ 600 Vac
	Rated frequency	50 - 60 Hz
	Output	
	Rated output voltage	2 x 12 Vac
	Rated power VDE (DB cos phi=1)	250 VA
	Rated power VDE (KB cos phi=0.5)	850 VA
	No-load voltage (app. x factor)	1.07
	Efficiency	90 %
	Standards	
Classification	Control- and safety isolating transformer	
Approvals		
Approvals	cURus	
Environment		
Ambient temperature max.	104.0 °F	
Type of cooling	self-cooling	
Safety and protection		
Type	Open type	
Insulation class	VDE=B, UL=class 130	
Protection index	IP 00	
Safety class (prepared)	I	
Short circuit strength	non-short-circuit proof	
PRI Fusing recommendation by circuit breaker with tripping characteristic type 20 x I _{rated} related to set)		
Setting range 208 - 230 Vac	1.00 - 1.60 A	
Setting value 208 - 230 Vac	1.3 A	
Setting range 380 - 415 Vac	0.63 - 1.00 A	
Setting value 380 - 415 Vac	0.71 A	
Setting range 440 +20 Vac	0.63 - 1.00 A	
Setting value 440 +20 Vac	0.64 A	
Setting range 500 -20/+25 Vac	0.40 - 0.63 A	
Setting value 500 -20/+25 Vac	0.57 A	
Setting range 575 ±25 Vac	0.40 - 0.63 A	
Setting value 575 ±25 Vac	0.5 A	
Order numbers		
Order Number	USTE 250/2x12	

Type		USTE 250/2x12
Mechanical data	Terminal and mounting	
	Fixing method	Dual purpose base plate also for installation on mounting rails
	Fixing screws	M5
Terminals	Spring terminals, PE 6.3 x 0.8	
Measures and weights		
Weight	7.94 lbs	



Subject to change.