

Autotransformer VT 300-EN



Picture shows VT 50-EN

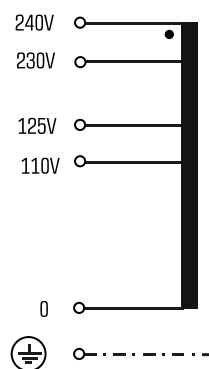
Advantages

- Low weight and small size (compared to isolating transformers)
- Very high efficiency
- Very good moisture protection and low noise due to vacuum impregnation
- Contact protected screw connection terminals complying with UVV BGV A3
- Simple mounting due to robust metal fixing rail with oval slots

Applications

Autotransformer for adjustment of the voltage on the input and output sides with no requirement for electrical isolation.

Sample application



Standards

Autotransformer
to: VDE 0570 Part 2-13, DIN EN 61558-2-13, EN 61558-2-13,
IEC 61558-2-13

Approvals



UL 5085-1/-2, CSA 22.2 No.66

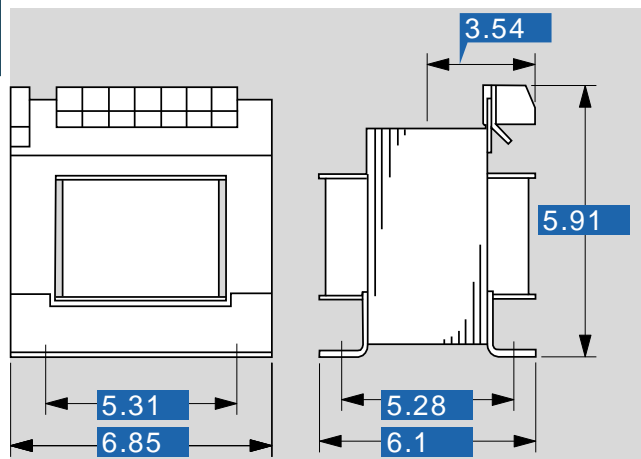


Autotransformer VT 300-EN

Type		VT 300-EN
Electrical data	Input	
	Rated input voltage	110 Vac/125 Vac/230 Vac/240 Vac
	Rated frequency	50 - 60 Hz
	Output	
	Rated output voltage	110 Vac/125 Vac/230 Vac/240 Vac
	Power	3,000 VA
	Approvals	
	Approvals	cURus
	Environment	
	Ambient temperature max.	104,0 °F
	Safety and protection	
	Type	Open type
	Insulation class	B
	Protection index	IP 00
	Safety class (prepared)	I
	Short circuit strength	non-short-circuit proof
	Test voltage	2,500 Vac, 50 Hz
Order numbers		
Order Number	VT 300-EN	

Type		VT 300-EN
Mechanical data	Terminal and mounting	
	Fixing method	Fixing rail
	Terminals	Screw-type terminal, PE 6.3 x 0.8
	Measures and weights	
	Weight	42.77 lbs

Dimensions in inch



Subject to change.